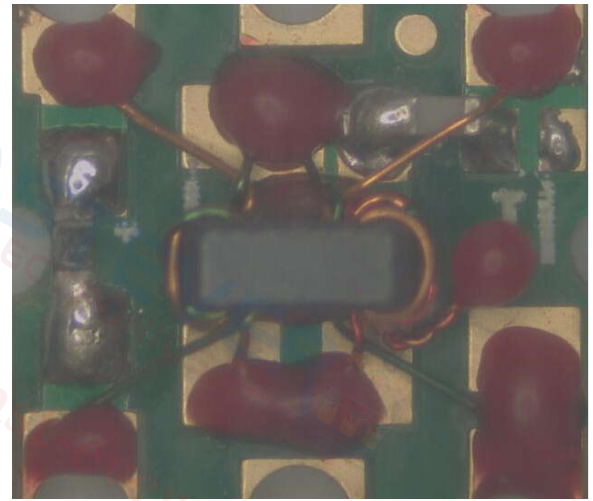


Features::

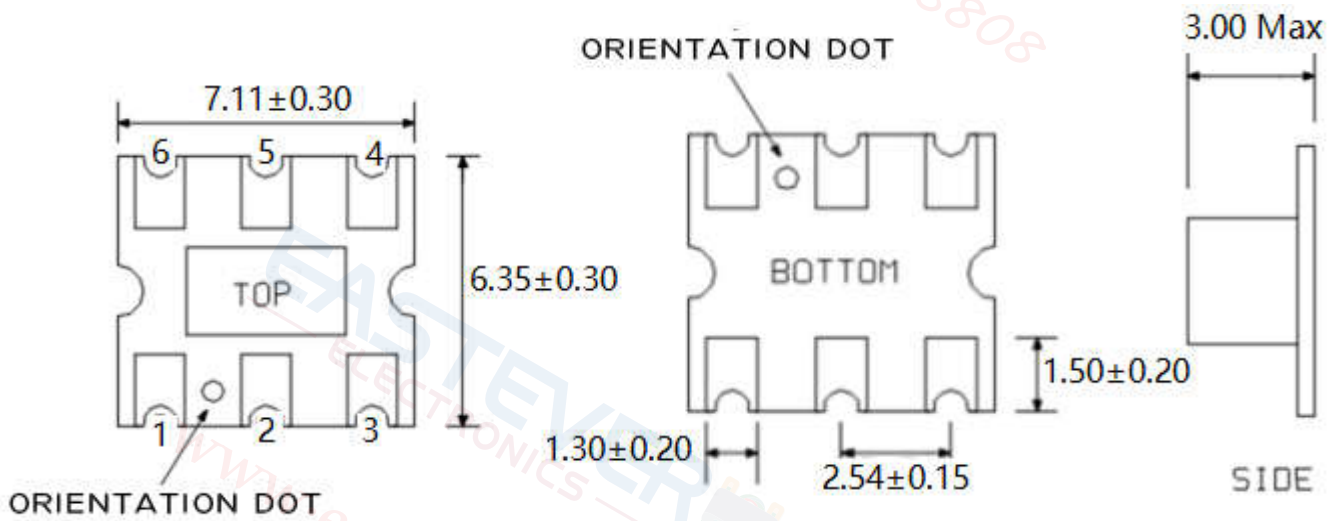
- ◆ Equivalent to: MAPDCT0024
- ◆ 75Ω Characteristic Impedance
- ◆ Frequency: 5to1250 MHz
- ◆ Power Input(as a splitter): 0.50W Max
- ◆ DC current: 30mA
- ◆ Operating temperature range: -40°C to +85°C
- ◆ Storage temperature range: -55°C to +100°C



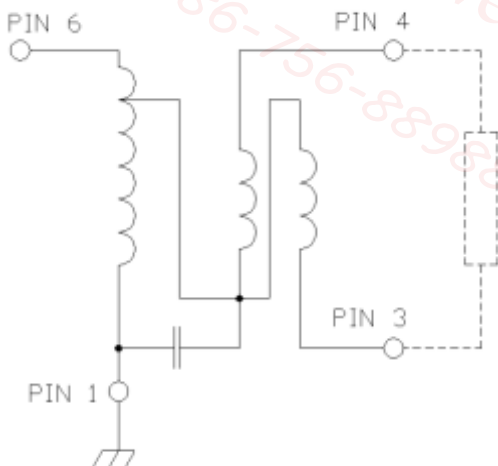
Applications:

- ◆ For CATV broadb and FTTX applications
- ◆ For VHF/UHF receivers/transmitters and push-pull amplifiers

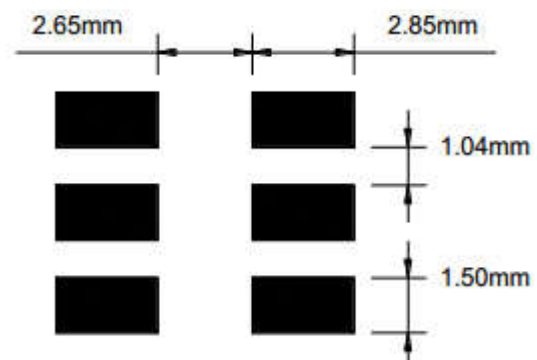
Dimension Diagram (Unit:±0.20mm) :



Electrical structure:

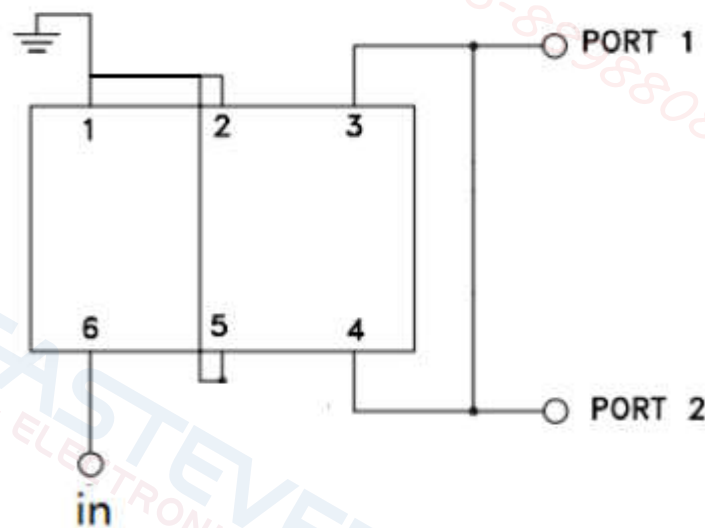


Recommended layout:



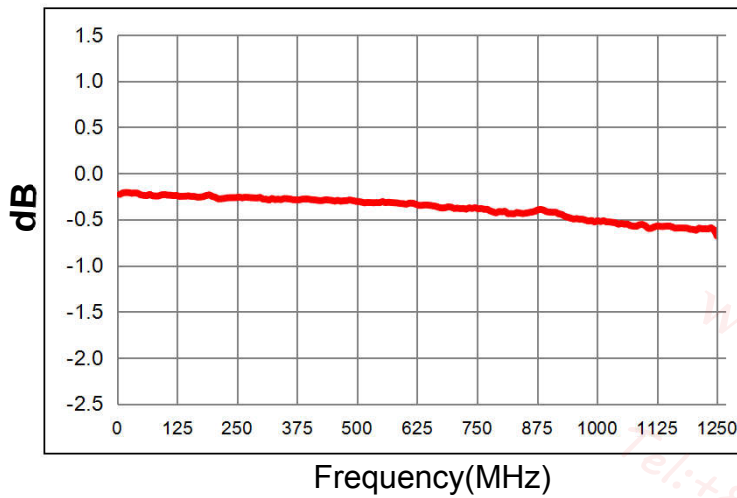
Pin configuration:

Pin No.	Function
1	Ground
2,5	Not Connected
3	Output 2
4	Output 1
6	Input

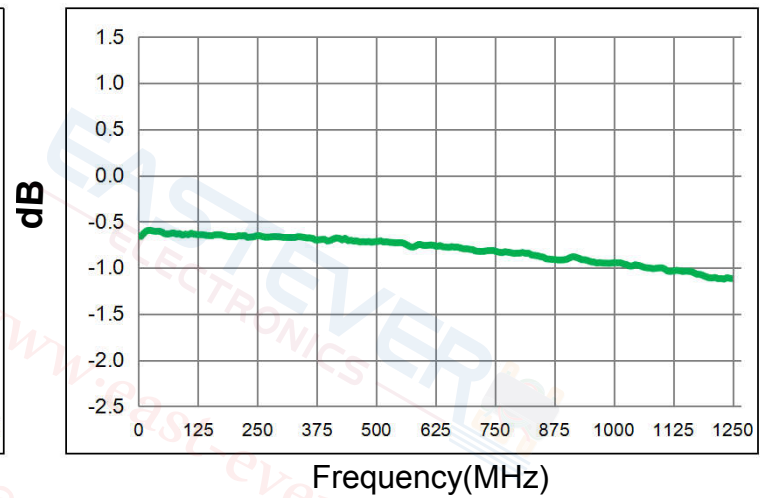
Application circuit :**Electrical Specifications: TA=25°C, 0dBm, Z0=75Ω:**

Parameter	Test Conditions	Units	Min	Typ	Max
Main line Loss(out1)	5-1250MHz	dB	—	0.4	1.2
Main line Loss(out2)	5-1250MHz	dB	—	0.7	1.7
Input Return Loss	5-1250MHz	dB	18.0	32.0	
Output 1 Return Loss	5-1250MHz	dB	16.0	30.0	
Output 2 Return Loss	5-1250MHz	dB	16.0	28.0	
Isolation	5-1250MHz	dB	16.0	35.0	

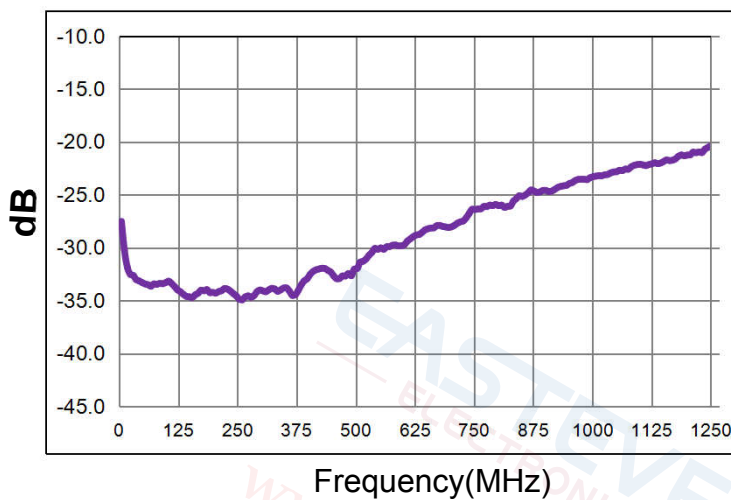
Main line Loss(pin6-4)



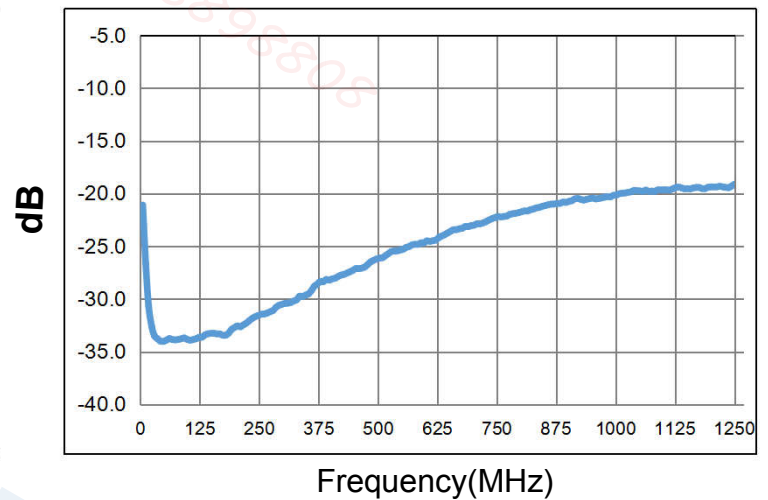
Main line Loss(pin6-3)



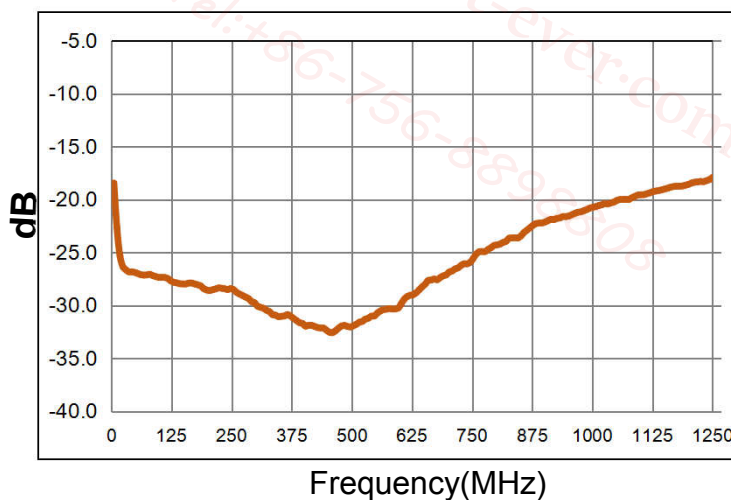
Input Return Loss(pin6)



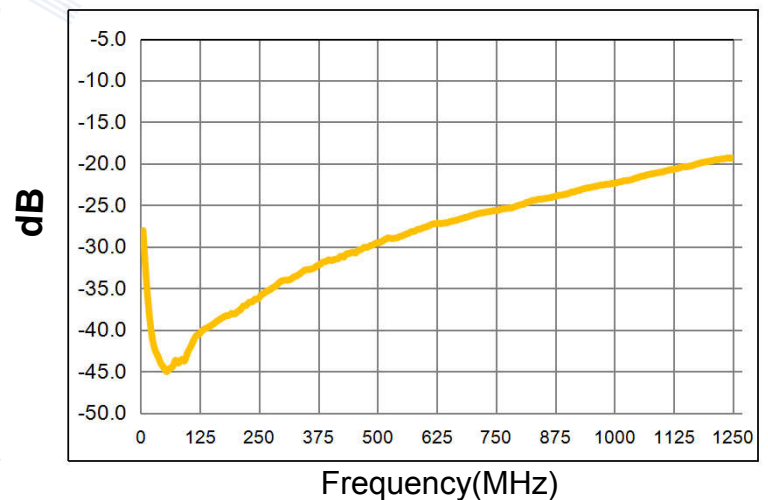
Output 1 Return Loss(pin4)



Output 2 Return Loss(pin3)

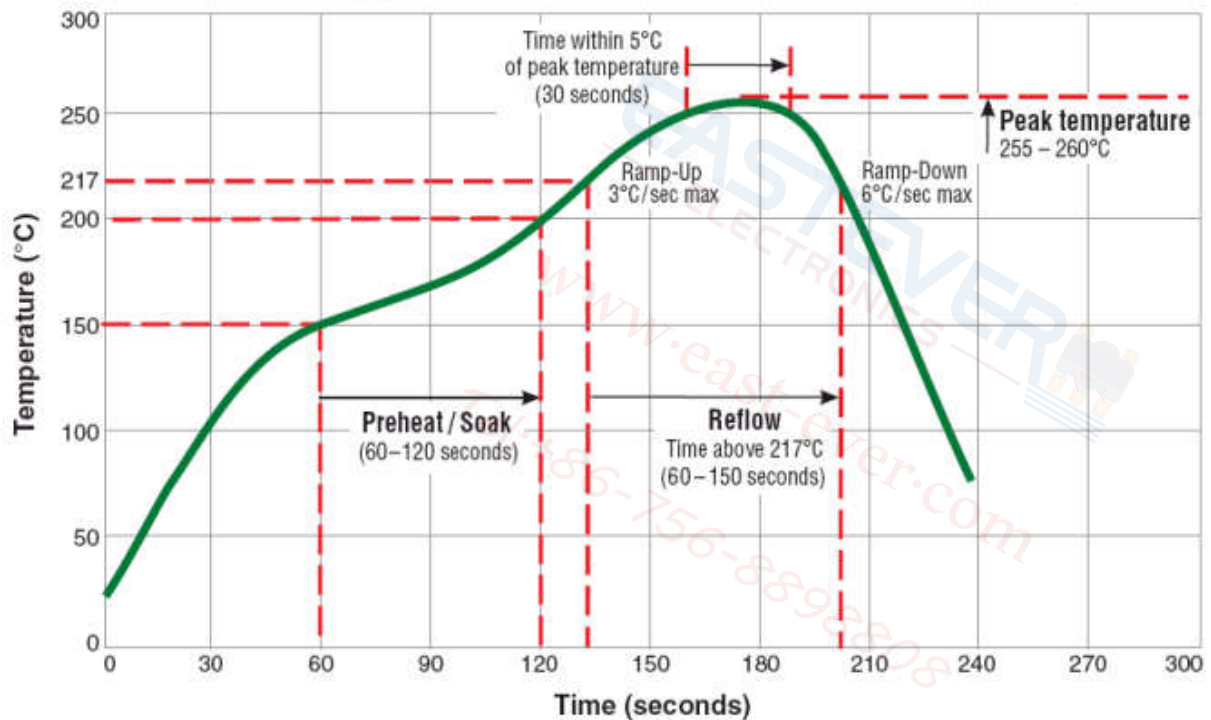


Isolation(pin4-3)

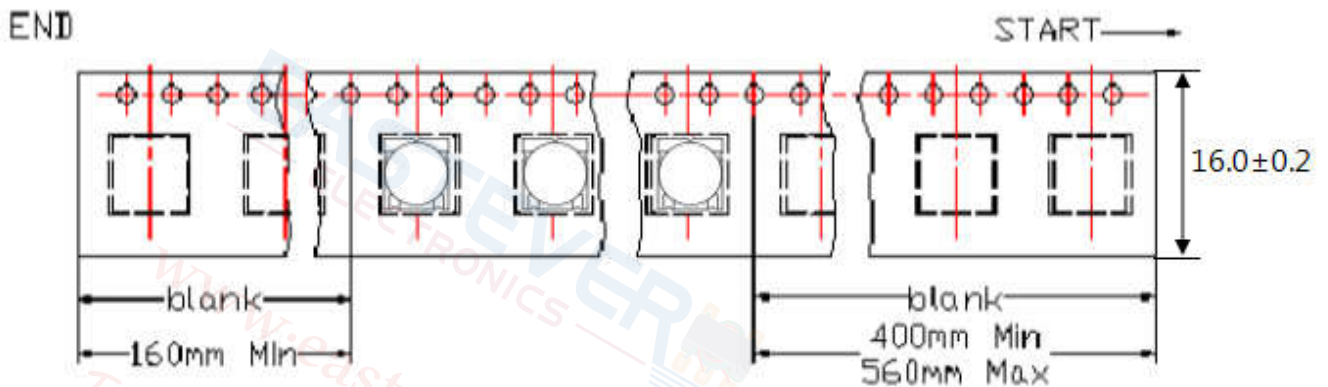


Recommended Soldering Temperature Graph:

Typical RoHS Reflow Profile



Packaging Dimension For Caeier Tape(UNIT:mm):



QUANTITY
1500PCS/Reel
3Reels/Middle Carton Middle Carton:
4 Middle Cartons/Big Carton
18000PCS/ Big Carton



SPEC	8	12	16	24
DIM A±0.1	8.5	12.5	16.5	24.5
DIM B±0.1	2.3	2.3	2.3	2.3
DIM C±0.1	100	100	100	100

