

Features:

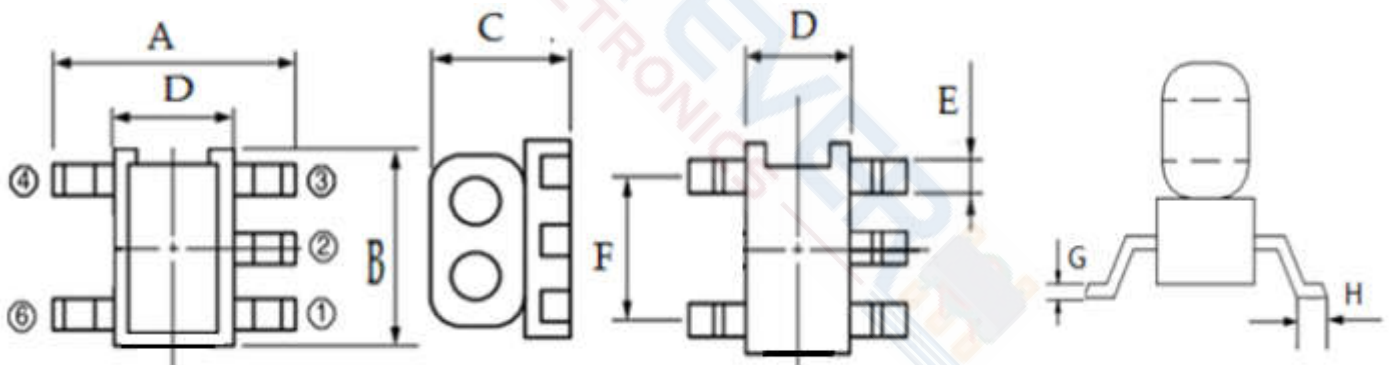


- ◆ Equivalent to: 010249-CI08A0
- ◆ Transmission loss: 0.8dB Typ, Nominal Coupling: 18.0dB Typ
- ◆ RoHS Compliant and Pb free
- ◆ Can be used in both 50Ω and 75Ω systems
- ◆ Operating temperature range: -40°C to +85°C
- ◆ Storage temperature range: -55°C to +100°C

Applications:

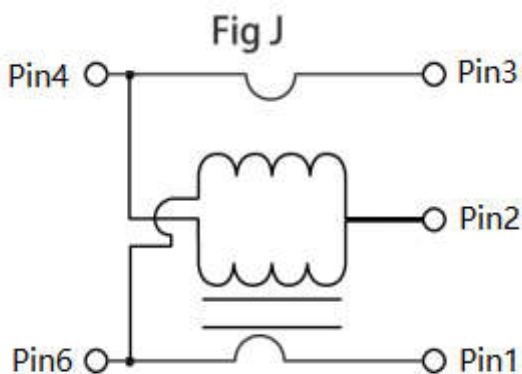
- ◆ For CATV branch distributor
- ◆ For broadband and wireless communications

Dimension diagram (Unit:mm) :

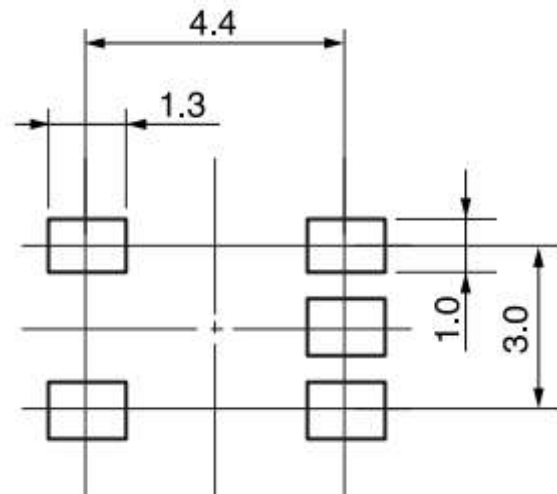


A=5.10±0.20 B=4.30±0.20 C=3.50Max D=2.60±0.20 E=0.50±0.05 F=3.00±0.10 G=0.25±0.05 H=0.60±0.10

Electrical structure:



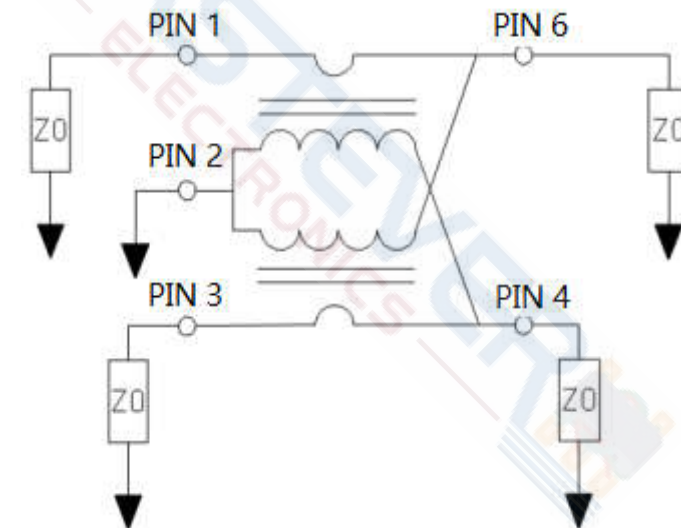
Recommended layout(mm):



Pin configuration:

Pin No.	Function
1	Input
2	Ground
3	Coupled
4	Isolated
6	Output

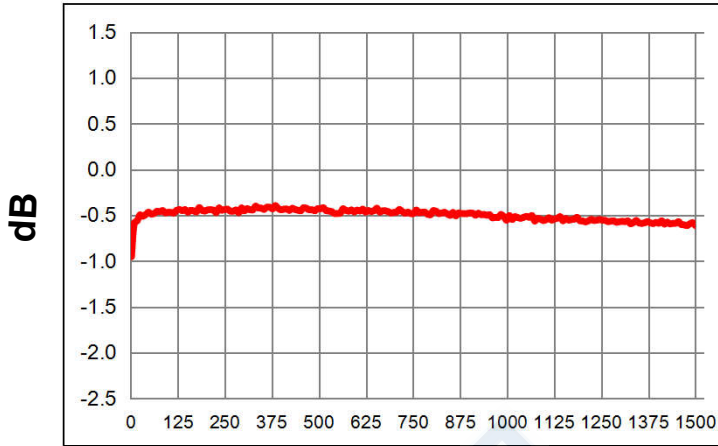
Application circuit :



Electrical Specifications: TA=25°C, 0dBm, Z0=75Ω:

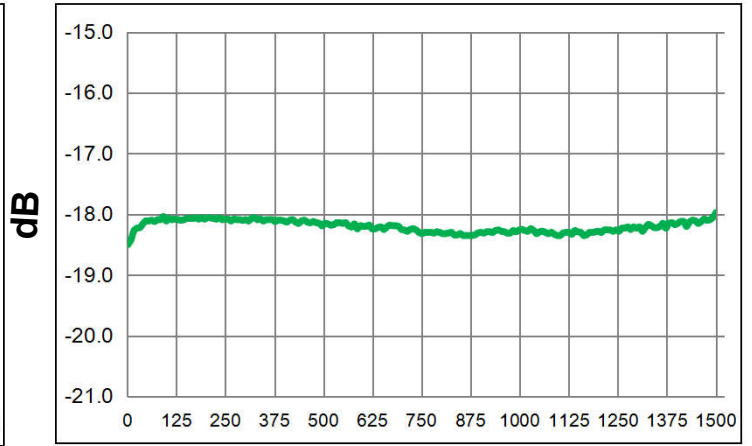
Parameter	Test Conditions	Units	Min	Typ	Max
Main line Loss	5-1250MHz	dB	—	0.5	1.2
Coupling	5-1250MHz	dB	—	18.0	±1.0
Input Return Loss	5-1250MHz	dB	18.0	25.0	—
Output Return Loss	5-1250MHz	dB	18.0	25.0	—
Coupling Return Loss	5-1250MHz	dB	18.0	25.0	—
Isolation	5-1250MHz	dB	20.0	35.0	—

Main line Loss(pin1-6):



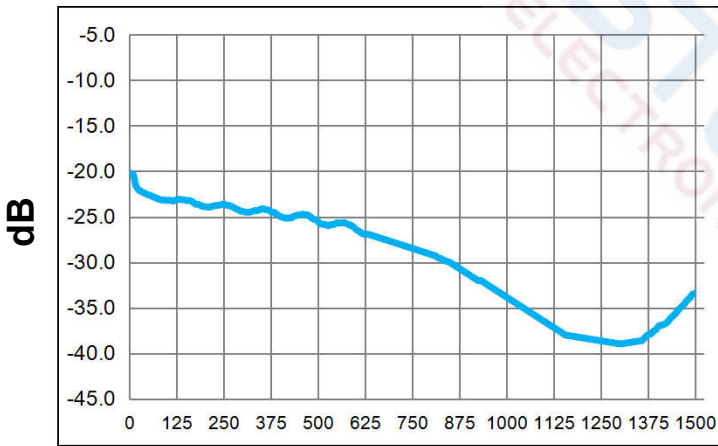
Frequency(MHz)

Coupling(pin1-3):



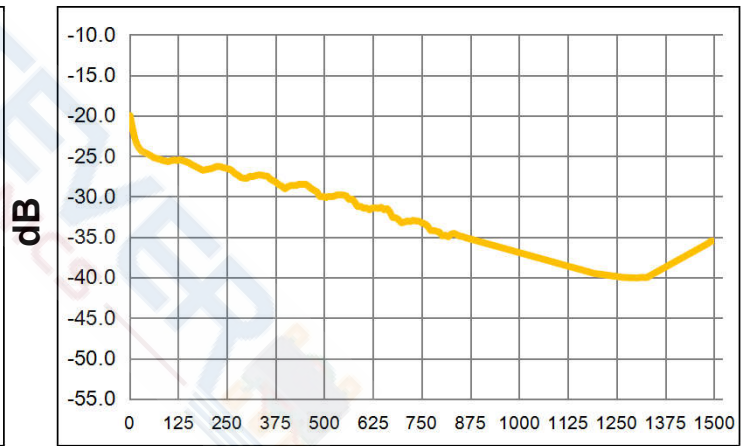
Frequency(MHz)

Input Return Loss (Pin1)



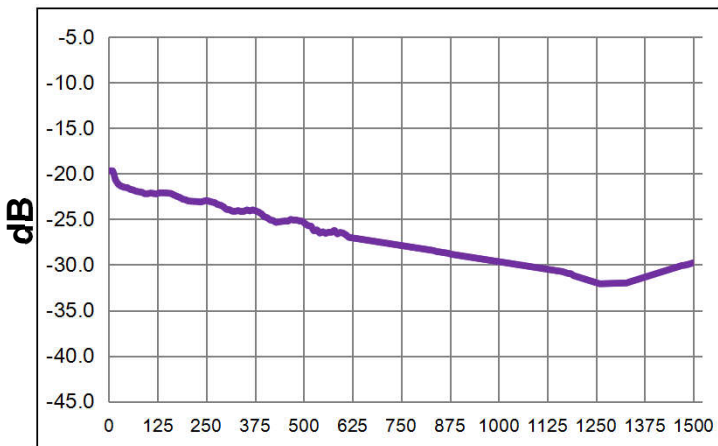
Frequency(MHz)

Output Return Loss (Pin6)



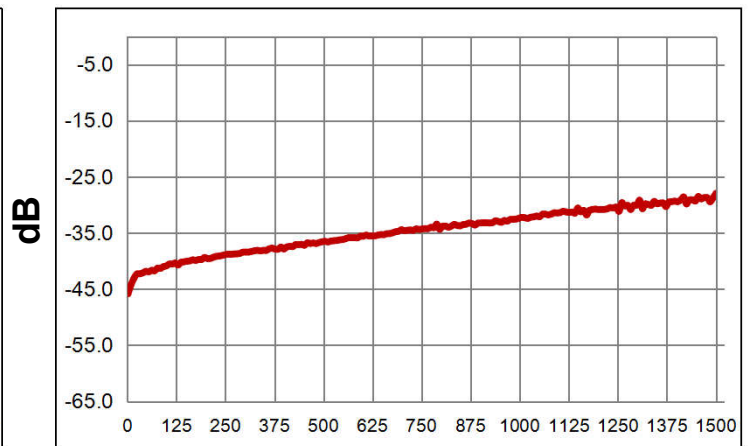
Frequency(MHz)

Coupling Return Loss (Pin3)



Frequency(MHz)

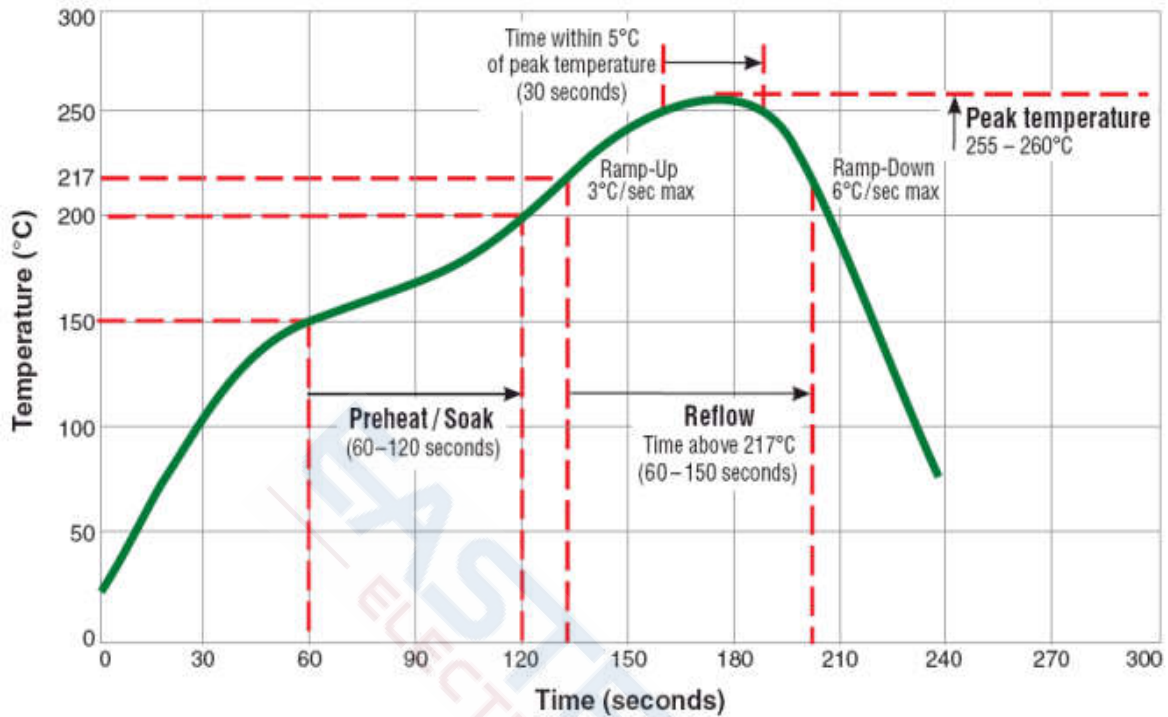
Isolation (Pin1-4)



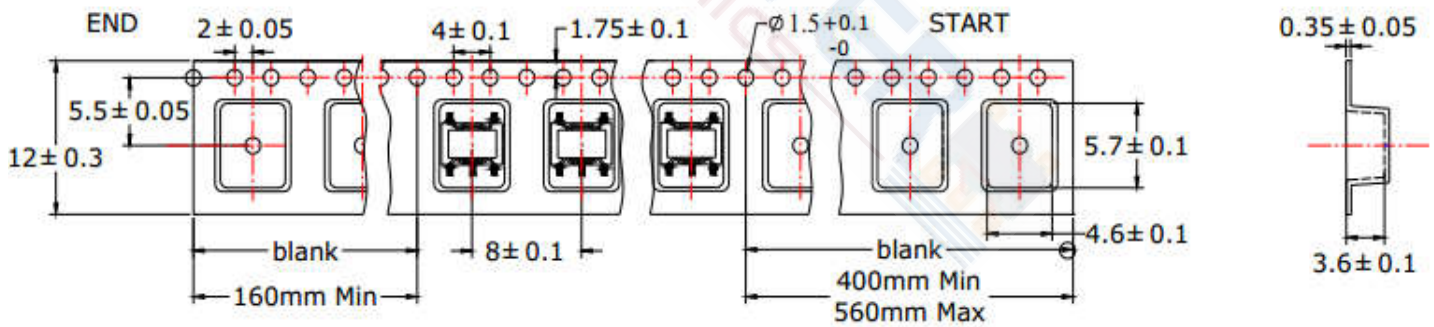
Frequency(MHz)

Recommended Soldering Temperature Graph:

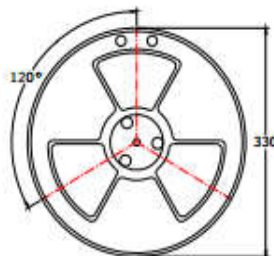
Typical RoHS Reflow Profile



Packaging Dimension For Caeier Tape(UNIT:mm):



QUANTITY
2000PCS/Reel
4 Reels/Middle Carton Middle Carton:
4 Middle Cartons/Big Carton
32000PCS/ Big Carton



SPEC	8	12	16	24
DIM A±0.1	8.5	12.5	16.5	24.5
DIM B±0.1	2.3	2.3	2.3	2.3
DIM C±0.1	100	100	100	100

