

# SMD Square Spring Inductors

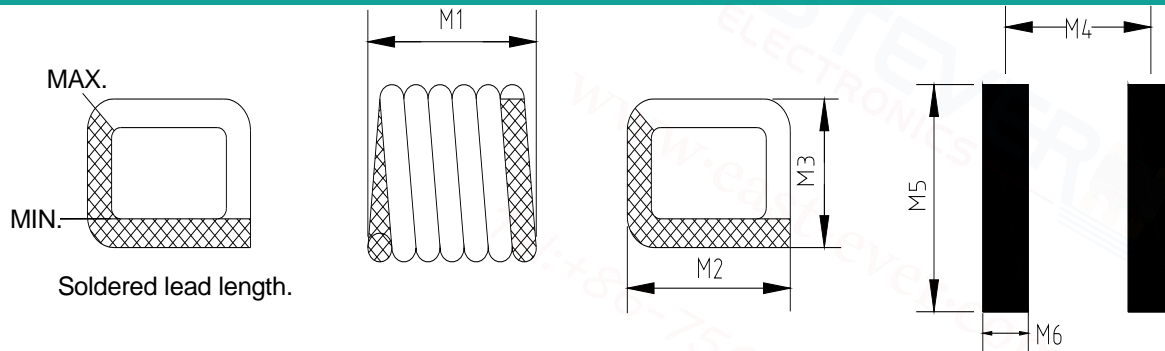


## Square Spring Inductors Features

- Air core inductors feature high Q and current handling
- Acrylic top provides a flat surface for pick and place
- Solder coated leads ensure reliable soldering
- Operating temperature range:  $-40^{\circ}\text{C}$  to  $+125^{\circ}\text{C}$
- Storage temperature range:  $-55^{\circ}\text{C}$  to  $+145^{\circ}\text{C}$



## Square Spring Inductors Dimensions & Recommended patterns. (Unit In mm)

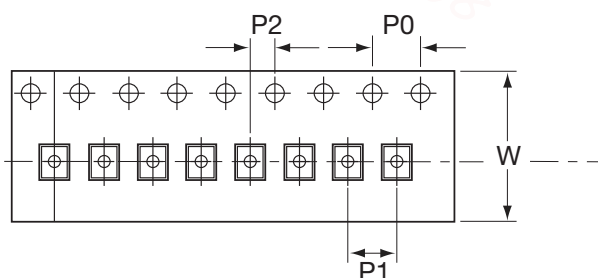


Part Number	M1	M2	M3	M4	M5	M6	Weight (mg)	Tape pocket Depth (mm)
SSAC0908-8NJ	1,473±0,152	2,134±0,152	1,829±0,203	1,12	2,8	0,64	12,8	2,01
SSAC0908-12NJ	1854±0,152	2134±0,152	1,829±0,203	1,45	2,8	0,64	16,9	1,96
SSAC0908-14NJ	1,549±0,152	2,134±0,152	1,829±0,203	1,24	2,8	0,64	13,5	1,52
SSAC0908-17NJ	2210±0,152	2134±0,152	1,829±0,203	1,83	2,8	0,64	21,1	2,01
SSAC0908-22NJ	2,565±0,152	2,134±0,152	1,829±0,203	2,18	2,8	0,64	24,7	1,98
SSAC0908-23NJ	2,235±0,152	2,134±0,152	1,829±0,203	1,90	2,8	0,64	19,2	1,98
SSAC0908-25NJ	2,972±0,152	2,134±0,155	1,829±0,206	2,57	2,8	0,64	27,6	2,01
SSAC0908-27NJ	2,972±0,152	2,134±0,152	1,829±0,203	2,57	2,8	0,64	28,7	2,01

## Specification

Part number	Inductance (nH)	tol	Q typ	SRF typ (GHz)	DCR Max (mOhm)	I <sub>rms</sub> (A)	Test Freq (MHz)
SSAC0908-8NJ	8.1	±5%	130	5.2	6.0	4.4	400
SSAC0908-12NJ	12.1	±5%	130	4.3	7.0	4.4	400
SSAC0908-14NJ	14.7	±5%	90	3.0	7.2	4.4	400
SSAC0908-17NJ	16.6	±5%	130	3.4	8.0	4.4	400
SSAC0908-22NJ	21.5	±5%	130	3.7	9.0	4.4	400
SSAC0908-23NJ	23.0	±5%	120	2.6	10.0	4.4	400
SSAC0908-25NJ	25.0	±5%	130	2.5	10.0	4.4	400
SSAC0908-27NJ	27.3	±5%	130	3.2	10.0	4.4	400

## Tape & Reel Information



Parameter	Units	Value
Qty per reel	PCS	5000
Reel Size	mm	330
Tape Width	mm	12.00
P <sub>0</sub>	mm	4.00
P <sub>1</sub>	mm	4.00
P <sub>2</sub>	mm	2.00