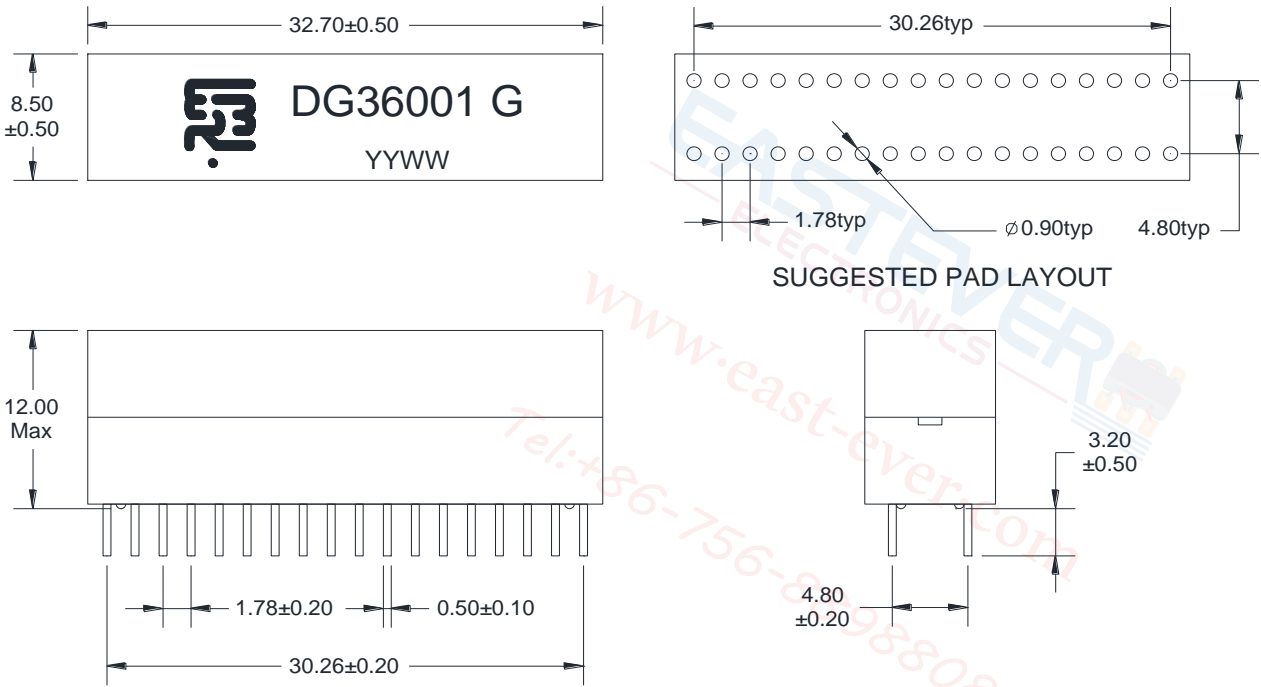


LAN Transformer

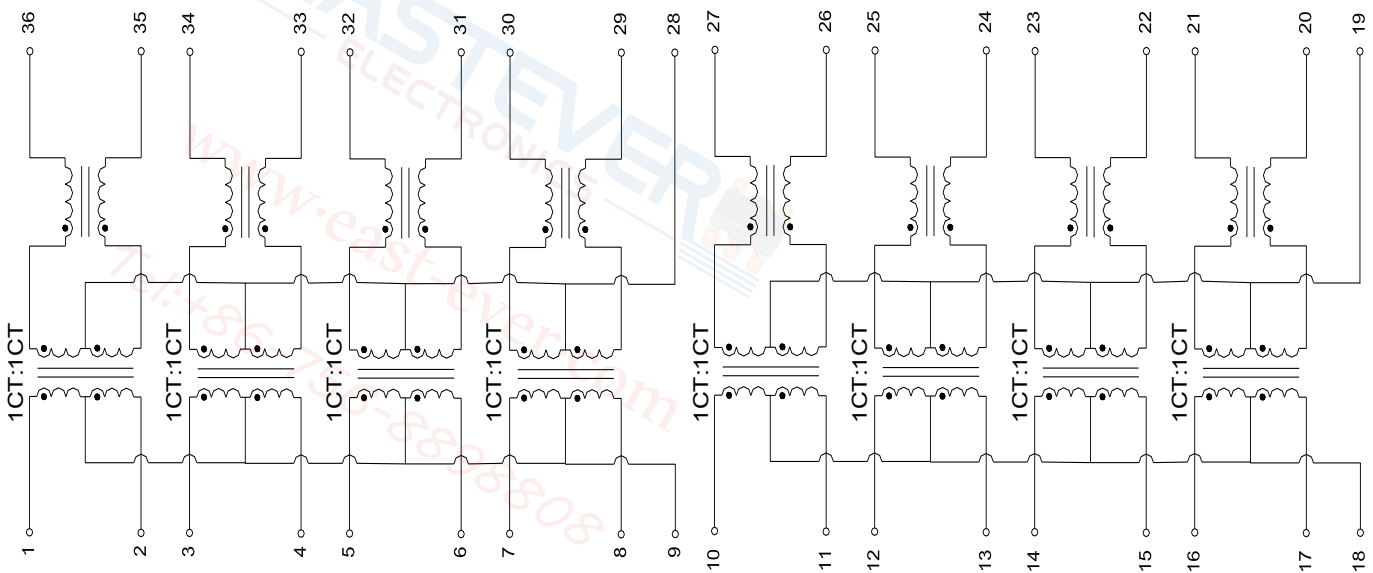
100/1000 BASE-T PG36001G

REV: 0

A. MECHANICAL(unit:mm)



B. SCHEMATICS



LAN Transformer

100/1000 BASE-T PG36001G

REV: 0

C. ELECTRICAL SPECIFICATIONS @25°C

1. OCL: 350uH Min @ 100KHz, 0.1V 8mA DC BIAS
2. Leakage Inductance: 0.5uH Max @ 100KHz, 0.1V
3. DCR : 1400mΩ Max
4. Turns Ratio: 1CT:1CT±5%
5. Insertion Loss: -1.1 dB Max @ 1-100 MHz
6. Return Loss: -18 dB Min @ 1-30 MHz
 - 14.4 dB Min @ 40 MHz
 - 13.1 dB Min @ 50 MHz
 - 12 dB Min @ 60-80 MHz
 - 10 dB Min @ 100 MHz
7. Cross Talk: -30 dB Min @ 1-100 MHz
8. Cmmon Mode Rejection: -30 dB Min @ 1-100 MHz
9. Isolation Hipot: 1500VAC 1mA 60S
10. Operating temperature 0°C to +70°C
11. Storage temperature -20°C to +125°C

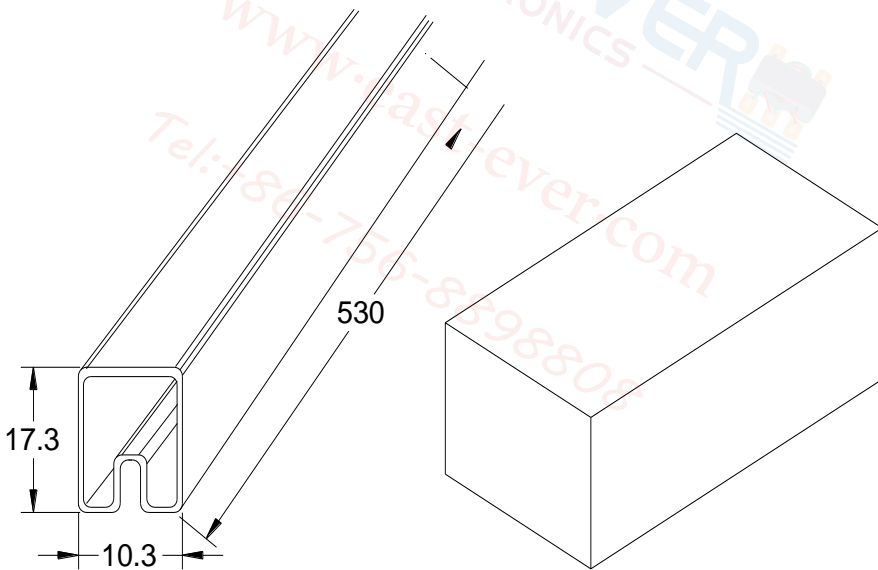
D. PACKAGE INFORMATION

Package Quantity:

One Tube=15Pcs

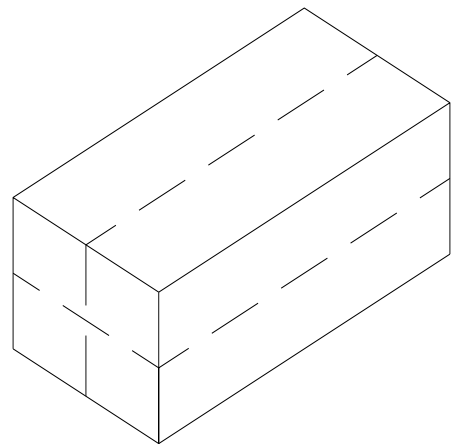
One Inner Carton=15*70=1050Pcs

One Export Carton=1050*4=4200Pcs



Tube: 535*10.3*17.3mm

Inner Carton: L575*W170*H87mm



Export Carton: L583*W380*H210mm