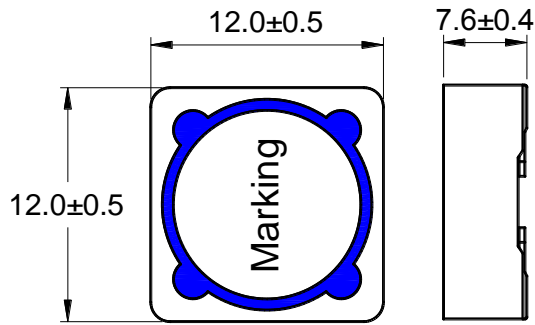


SMD Power Inductor



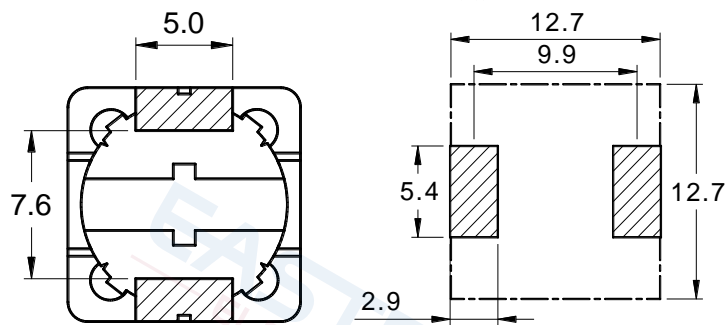
1 Appearance and dimensions (mm)

外形尺寸



2 Reference land pattern (mm)

参考基板尺寸



3 Electrical characteristics

电气特性

Part No. 型号	Inductance (μH) 电感值 ※1	D.C.R. (mΩ) 直流电阻		Saturation current (A) 饱和电流 ※2		Temperature rise current (A) 温升电流 ※3
		Typical	Max	Typical	Max	Typical
ERH127-6R8N	6.80 ±30%	20.3	24.4	12.0	9.60	5.23
ERH127-8R2N	8.20 ±30%	22.2	26.6	10.9	8.72	5.08
ERH127-100M	10.0 ±20%	24.1	28.9	10.2	8.16	4.95
ERH127-120M	12.0 ±20%	28.6	34.3	9.00	7.20	4.61
ERH127-150M	15.0 ±20%	31.0	37.2	8.40	6.72	4.49
ERH127-180M	18.0 ±20%	32.9	39.5	7.80	6.24	4.42
ERH127-220M	22.0 ±20%	38.0	45.6	7.00	5.60	4.17
ERH127-270M	27.0 ±20%	43.0	51.6	6.20	4.96	3.97
ERH127-330M	33.0 ±20%	48.5	58.2	5.50	4.40	3.74
ERH127-390M	39.0 ±20%	60.8	73.0	5.20	4.16	3.34
ERH127-470M	47.0 ±20%	70.0	84.0	4.60	3.68	3.11
ERH127-560M	56.0 ±20%	75.4	90.5	4.30	3.44	3.00
ERH127-680M	68.0 ±20%	94.8	114	3.90	3.12	2.67
ERH127-820M	82.0 ±20%	105	126	3.60	2.88	2.54
ERH127-101M	100 ±20%	137	164	3.20	2.56	2.22
ERH127-121M	120 ±20%	176	211	2.90	2.32	1.96
ERH127-151M	150 ±20%	202	242	2.60	2.08	1.83
ERH127-181M	180 ±20%	258	310	2.40	1.92	1.62
ERH127-221M	220 ±20%	288	346	2.20	1.76	1.53
ERH127-271M	270 ±20%	370	444	2.00	1.60	1.35
ERH127-331M	330 ±20%	410	492	1.80	1.44	1.29
ERH127-391M	390 ±20%	508	610	1.65	1.32	1.15
ERH127-471M	470 ±20%	630	756	1.45	1.16	1.04
ERH127-561M	560 ±20%	760	912	1.35	1.08	0.94
ERH127-681M	680 ±20%	954	1,145	1.20	0.96	0.84
ERH127-821M	820 ±20%	1,065	1,278	1.10	0.88	0.80
ERH127-102M	1,000 ±20%	1,315	1,578	1.00	0.80	0.71

All data is tested based on 25°C ambient temperature. 所有测试数据基于环境温度25°C条件下测试。

※1. Inductance measure condition at 100kHz, 0.1V. 电感测试条件为100kHz, 0.1V。

※2. Saturation current the actual value of DC current when the inductance decrease 20% of its initial value.
饱和电流：电感值下降其初始值的20%时所加载的实际直流电流值。

※3. Temperature rise current the actual value of DC current when the temperature rise is ΔT40 (Ta=25).
温升电流：使产品温度上升到ΔT40°C时所加载的实际直流电流值(Ta=25°C)