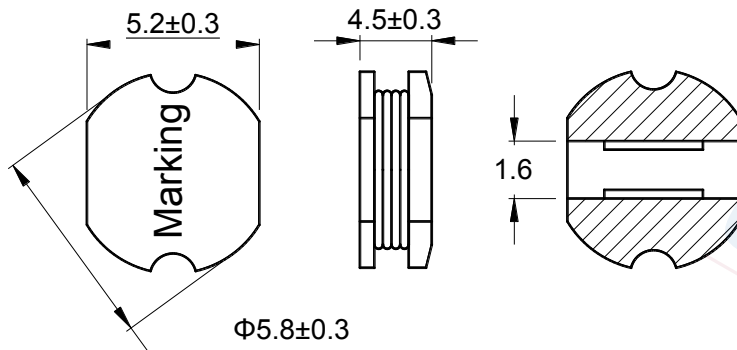


# SMD Power Inductor



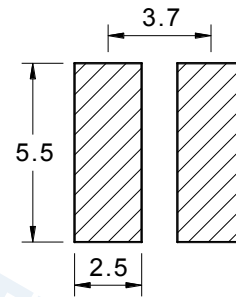
## 1 Appearance and dimensions (mm)

外形尺寸



## 2 Reference land pattern (mm)

参考基板尺寸



## 3 Electrical characteristics 电气特性

Part No. 型号	Inductance (μH) 电感值 ※1	D.C.R. (mΩ) 直流电阻		Saturation current (A) 饱和电流 ※2		Temperature rise current (A) 温升电流 ※3
		Typical	Max	Typical	Max	Typical
ECD54-1R0M	1.00 ±20%	8.30	10.0	8.10	6.48	7.08
ECD54-2R2M	2.20 ±20%	13.6	16.3	5.60	4.48	5.45
ECD54-3R3M	3.30 ±20%	19.4	23.3	4.40	3.52	4.67
ECD54-4R7M	4.70 ±20%	23.4	28.1	3.75	3.00	4.25
ECD54-6R8M	6.80 ±20%	31.7	38.0	3.30	2.64	3.65
ECD54-100K	10.0 ±10%	45.4	54.5	2.70	2.16	3.05
ECD54-120K	12.0 ±10%	57.6	69.1	2.40	1.92	2.71
ECD54-150K	15.0 ±10%	78.0	93.6	2.00	1.60	2.33
ECD54-180K	18.0 ±10%	85.8	103	1.90	1.52	2.22
ECD54-220K	22.0 ±10%	100	120	1.80	1.44	2.06
ECD54-270K	27.0 ±10%	127	152	1.58	1.26	1.83
ECD54-330K	33.0 ±10%	143	172	1.50	1.20	1.65
ECD54-390K	39.0 ±10%	184	221	1.22	0.98	1.45
ECD54-470K	47.0 ±10%	202	242	1.20	0.96	1.39
ECD54-560K	56.0 ±10%	252	302	1.10	0.88	1.24
ECD54-680K	68.0 ±10%	300	360	0.98	0.78	1.14
ECD54-820K	82.0 ±10%	366	439	0.94	0.75	1.03
ECD54-101K	100 ±10%	420	504	0.80	0.64	0.91
ECD54-121K	120 ±10%	494	593	0.76	0.61	0.84
ECD54-151K	150 ±10%	659	791	0.68	0.54	0.77
ECD54-181K	180 ±10%	791	949	0.61	0.49	0.70
ECD54-221K	220 ±10%	900	1,080	0.54	0.43	0.66
ECD54-271K	270 ±10%	1,165	1,398	0.49	0.39	0.58
ECD54-331K	330 ±10%	1,290	1,548	0.45	0.36	0.55
ECD54-391K	390 ±10%	1,645	1,974	0.41	0.33	0.49
ECD54-471K	470 ±10%	1,860	2,232	0.39	0.31	0.46
ECD54-561K	560 ±10%	2,500	3,000	0.35	0.28	0.39
ECD54-681K	680 ±10%	2,894	3,473	0.32	0.26	0.37
ECD54-821K	820 ±10%	3,330	3,996	0.29	0.23	0.33
ECD54-102K	1,000 ±10%	4,370	5,244	0.26	0.21	0.29

All data is tested based on 25°C ambient temperature. 所有测试数据基于环境温度25°C条件下测试。

※1. Inductance measure condition at 100kHz, 0.1V. 电感测试条件为100kHz, 0.1V。

※2. Saturation current the actual value of DC current when the inductance decrease 20% of its initial value.  
饱和电流: 电感值下降其初始值的20%时所加载的实际直流电流值。

※3. Temperature rise current the actual value of DC current when the temperature rise is ΔT40 (Ta=25°C).  
温升电流: 使产品温度上升到ΔT40°C时所加载的实际直流电流值(Ta=25°C)



Balun Transformer | Coupler | Divider | Inductor | Choke | Bead | Air Coil | LAN Transformer