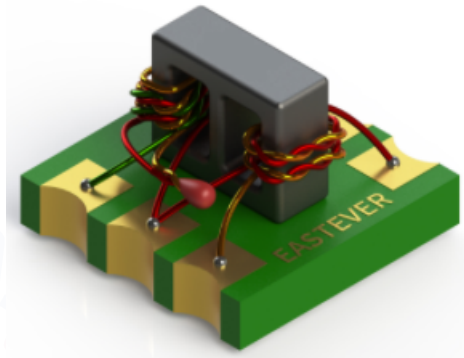


Features:

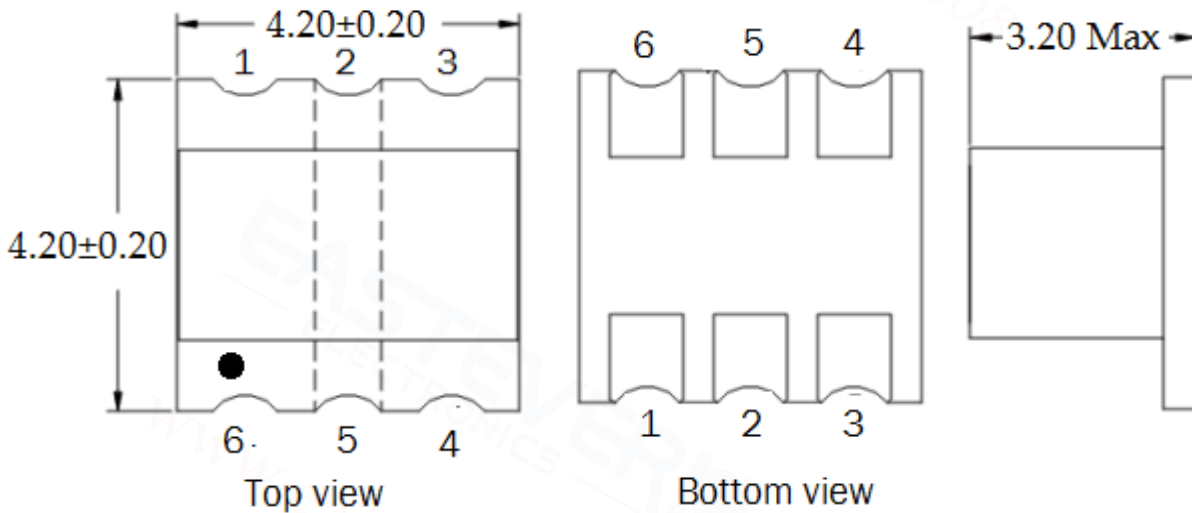
- ◆ 75Ω Impedance
- ◆ Power Input(as a splitter): 0.50W
- ◆ DC current: 500mA
- ◆ Operating temperature range:-40°C to+85°C
- ◆ Storage temperature range: -55°C to +100°C



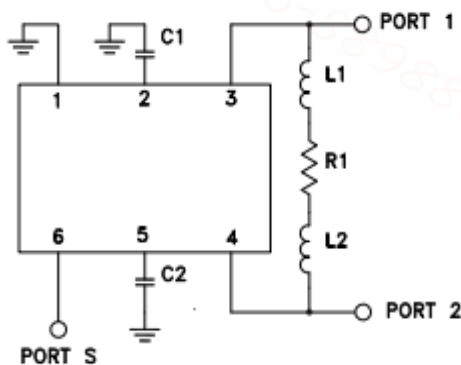
Applications:

- ◆ For Docsis 3.0 & 3.1 Cable Modem.
- ◆ For VHF/UHF receivers/transmitters and push-pull amplifiers

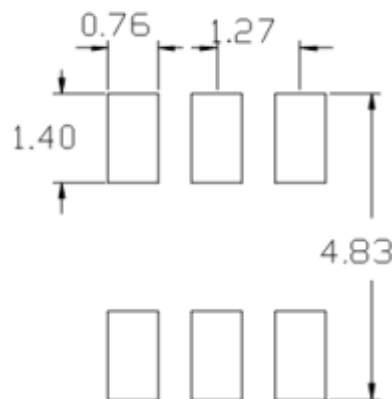
Dimension Diagram (Unit:mm) :



Electrical structure:



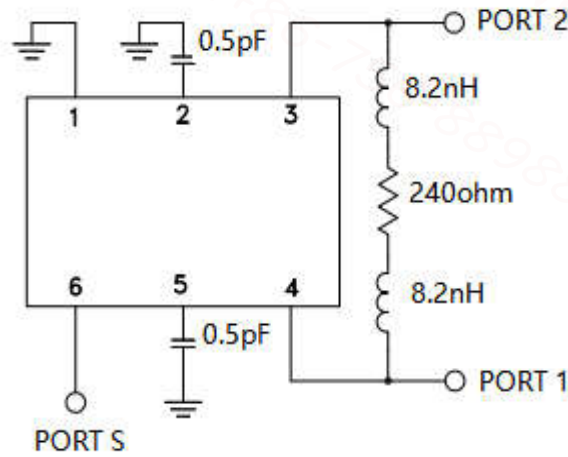
Recommended layout:



Pin configuration:

SUM PORT	6
PORT 1	4
PORT 2	3
GROUND	1
EXT. CAPACITOR 0.5pF	2 OR 5 TO GND

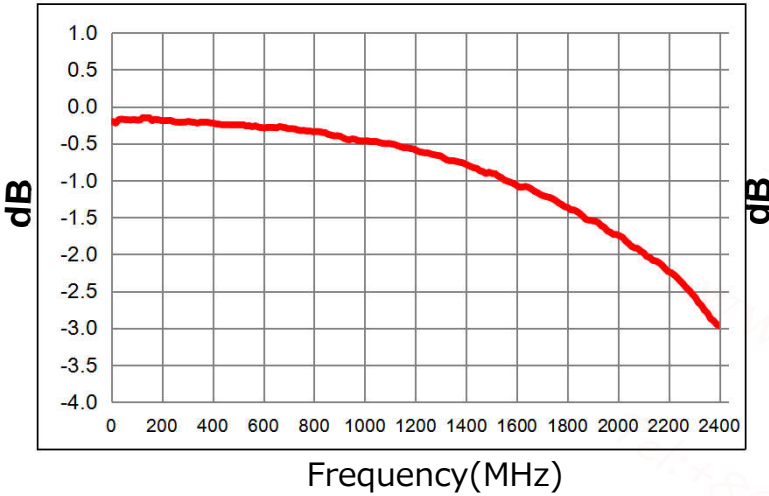
Application circuit :



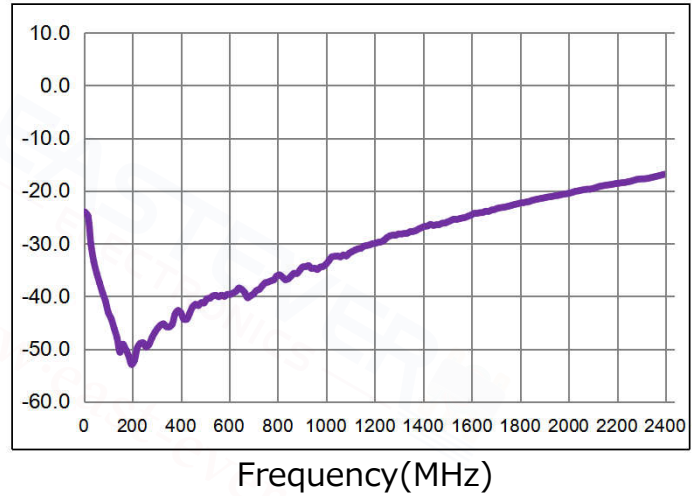
Electrical Specifications: TA=25°C , 0dBm,Z0=75Ω

Parameter	Test Conditions	Units	Min	Typ	Max
Main line Loss(out1)	5-1600MHz	dB	—	0.3	1.5
	1600-2400MHz	dB	—	0.8	2.5
Main line Loss(out2)	5-1600MHz	dB	—	0.4	1.8
	1600-2400MHz	dB	—	2.0	4.0
Input Return Loss	5-1600MHz	dB	20.0	35.0	—
	1600-2400MHz	dB	11.0	20.0	—
Output 1 Return Loss	5-1600MHz	dB	18.0	30.0	—
	1600-2400MHz	dB	9.0	17.0	—
Output 2 Return Loss	5-1600MHz	dB	18.0	25.0	—
	1600-2400MHz	dB	11.0	16.0	—
Isolation	5-1600MHz	dB	22.0	45.0	—
	1600-2400MHz	dB	12.0	20.0	—

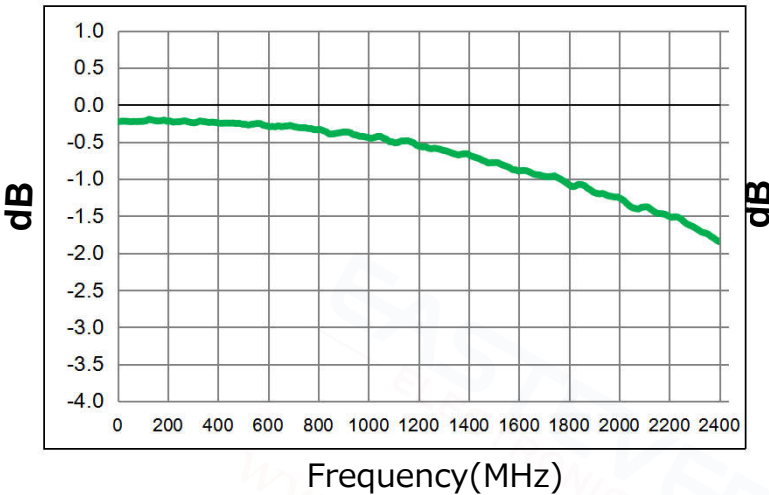
Main line Loss(Pin6-3)



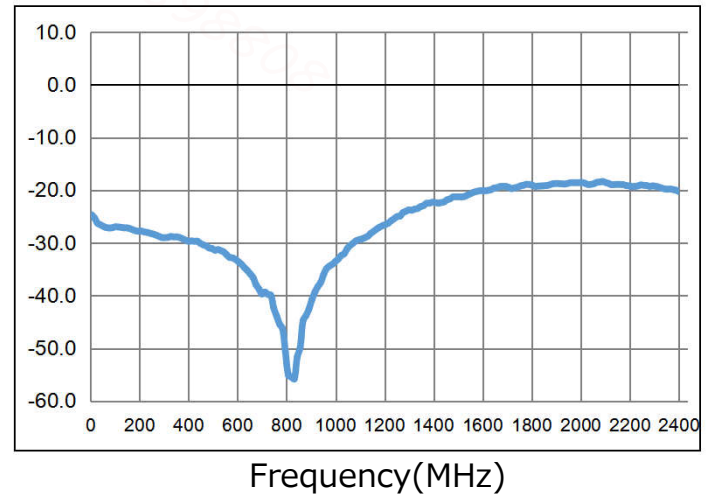
Isolation(Pin4-3)



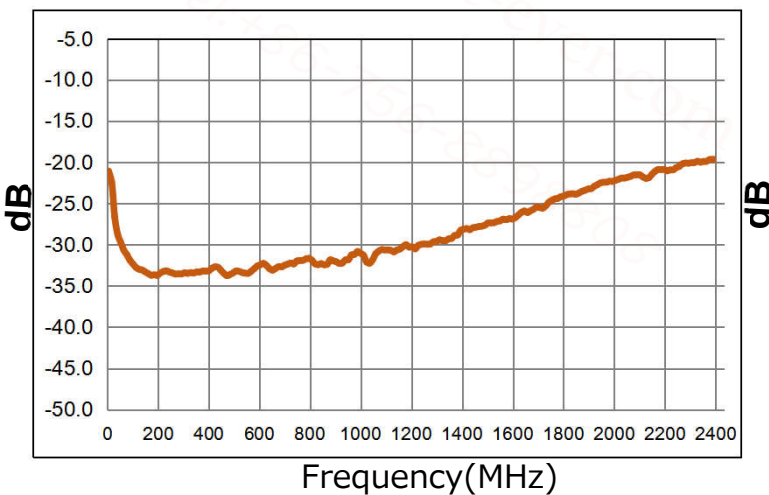
Main line Loss(Pin6-4)



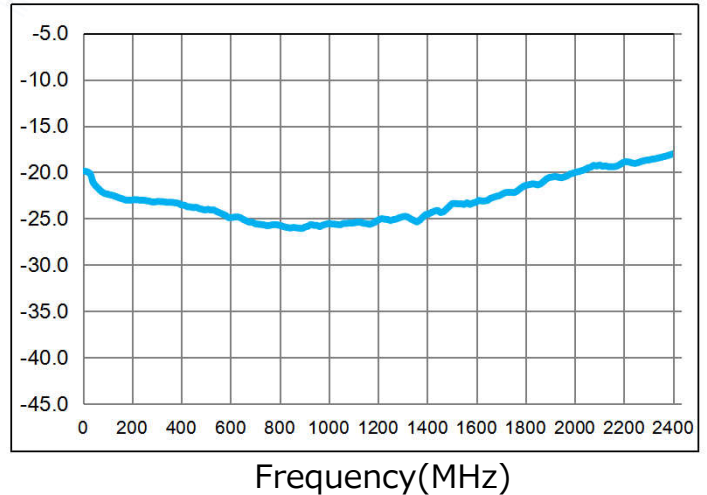
Input Return Loss(Pin6)



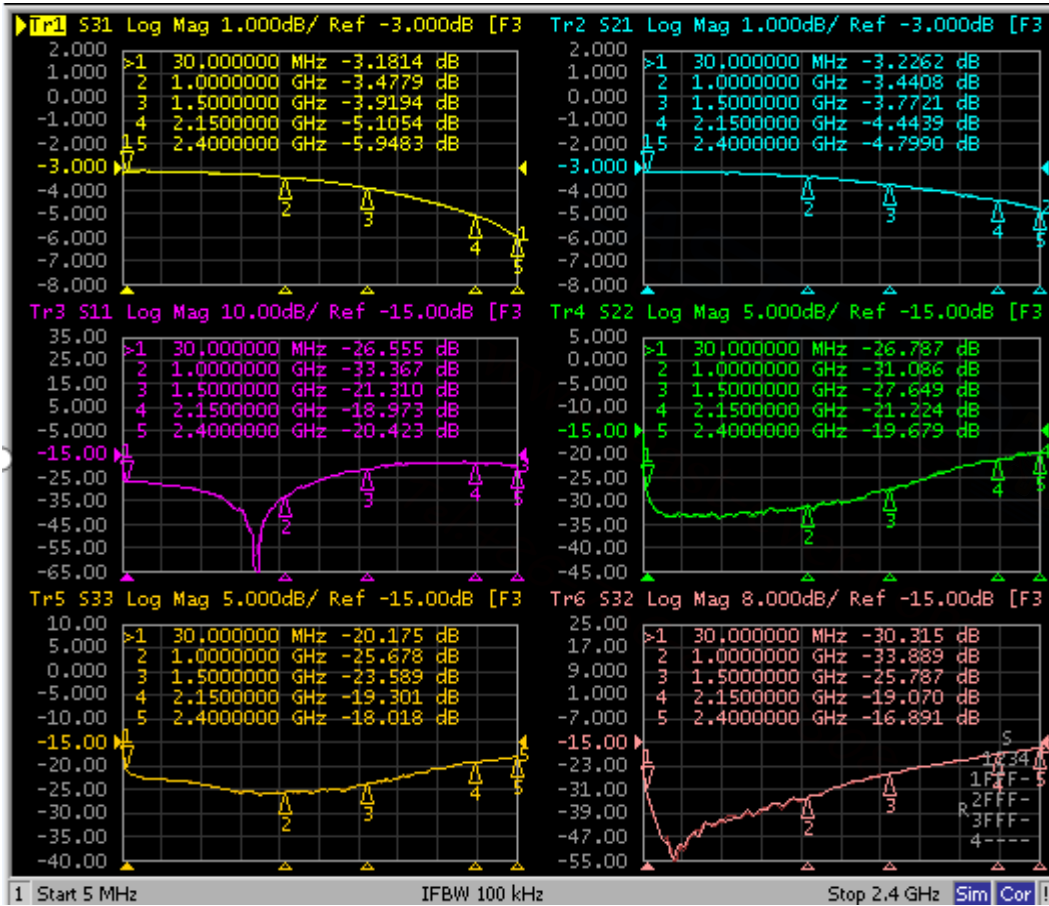
Output 1 Return Loss(Pin4)



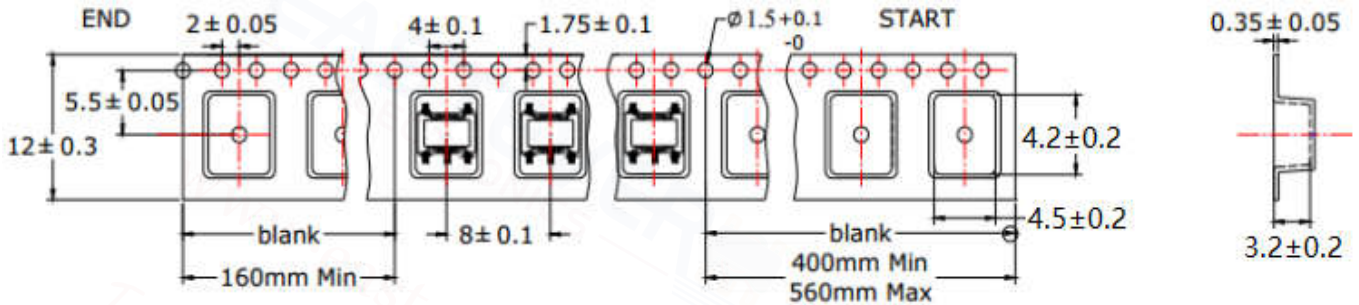
Output 2 Return Loss (Pin3)



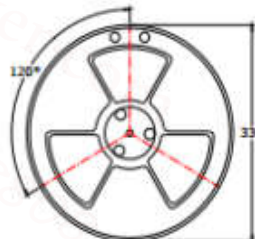
Network Analyzer Test Data Sheet Photos:



Packing Dimension For Caeier Tape(UNIT:mm):



QUANTITY
2000PCS/Reel
4Reels/Middle Carton Middle Carton:
4 Middle Cartons/Big Carton
32000PCS/ Big Carton



SPEC	8	12	16	24
DIM A±0.1	8.5	12.5	16.5	24.5
DIM B±0.1	2.3	2.3	2.3	2.3
DIM C±0.1	100	100	100	100

