

**Features::**

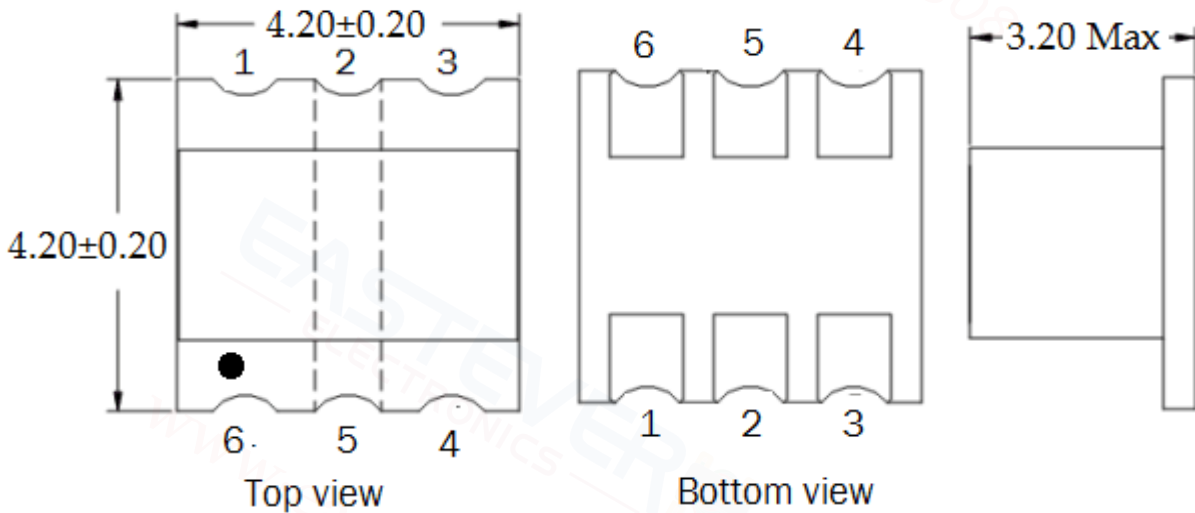
- ◆ 2 Way-0° Power Splitter/Combiner
- ◆ 75Ω Impedance
- ◆ Power Input(as a splitter): 0.50W
- ◆ DC current: 500mA
- ◆ Operating temperature range: -40°C to +85°C
- ◆ Storage temperature range: -55°C to +100°C



**Applications:**

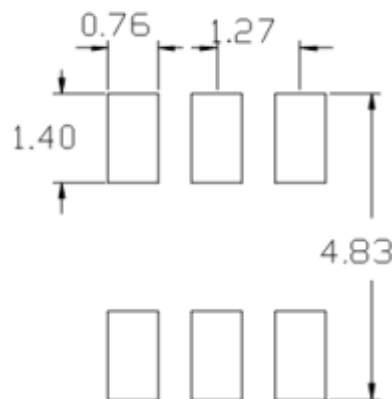
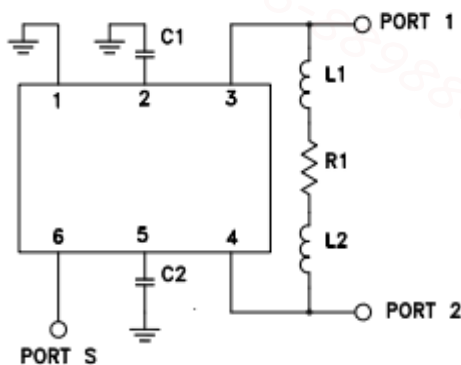
- ◆ For all CATV Broadband and FTTx applications
- ◆ For VHF/UHF receivers/transmitters and push-pull amplifiers

**Dimension Diagram (Unit:mm) :**



**Electrical structure:**

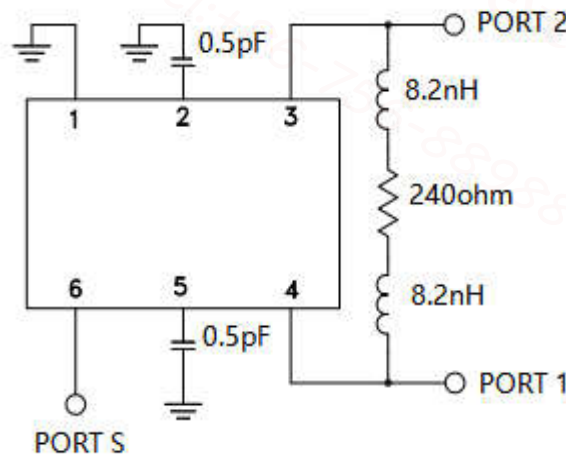
**Recommended layout:**



**Pin configuration:**

Pin No.	Function
1	Ground
2	External 0.5pF Capacitor
3	Output 2
4	Output 1
5	External 0.5pF Capacitor
6	Input

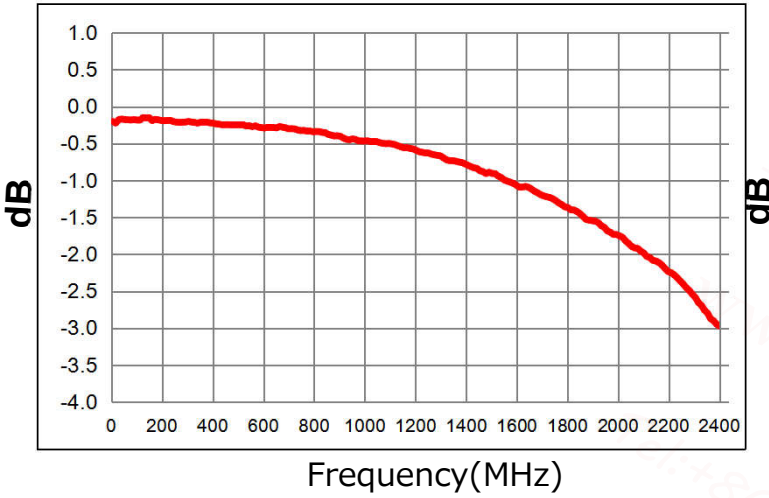
**Application circuit :**



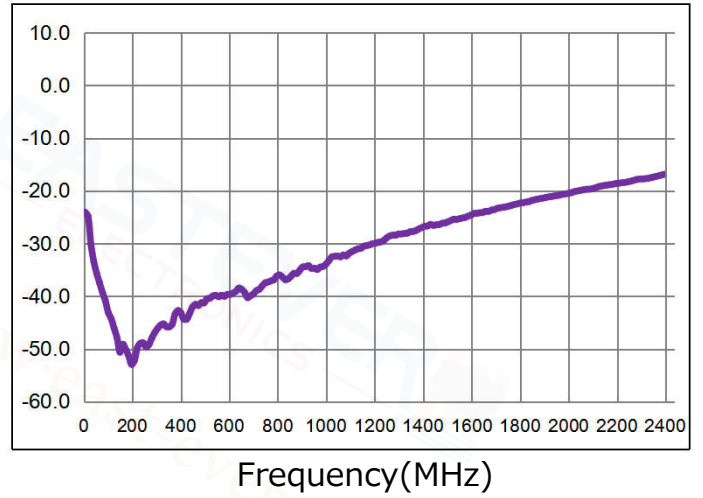
**Electrical Specifications: TA=25°C, 0dBm,Z0=75Ω**

Parameter	Test Conditions	Units	Min	Typ	Max
Main line Loss(out1)	5-1600MHz	dB	—	0.3	1.5
	1600-2400MHz	dB	—	0.8	2.5
Main line Loss(out2)	5-1600MHz	dB	—	0.4	1.8
	1600-2400MHz	dB	—	2.0	4.0
Input Return Loss	5-1600MHz	dB	20.0	35.0	—
	1600-2400MHz	dB	11.0	20.0	—
Output 1 Return Loss	5-1600MHz	dB	18.0	30.0	—
	1600-2400MHz	dB	9.0	17.0	—
Output 2 Return Loss	5-1600MHz	dB	18.0	25.0	—
	1600-2400MHz	dB	11.0	16.0	—
Isolation	5-1600MHz	dB	22.0	45.0	—
	1600-2400MHz	dB	12.0	20.0	—

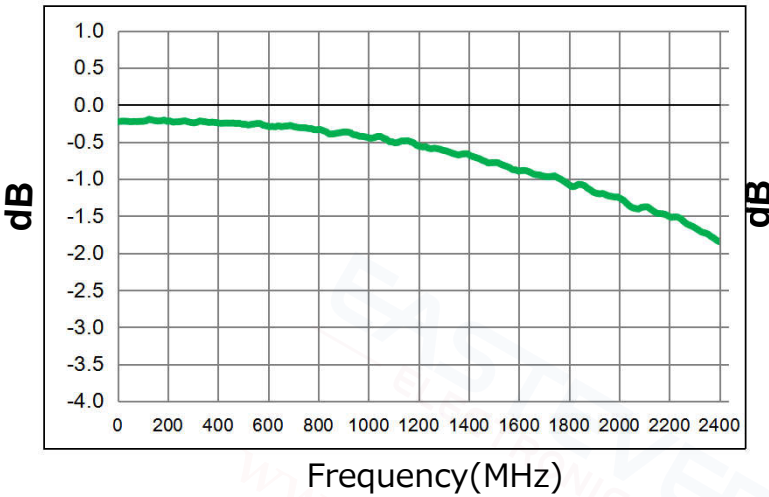
### Main line Loss(Pin6-3)



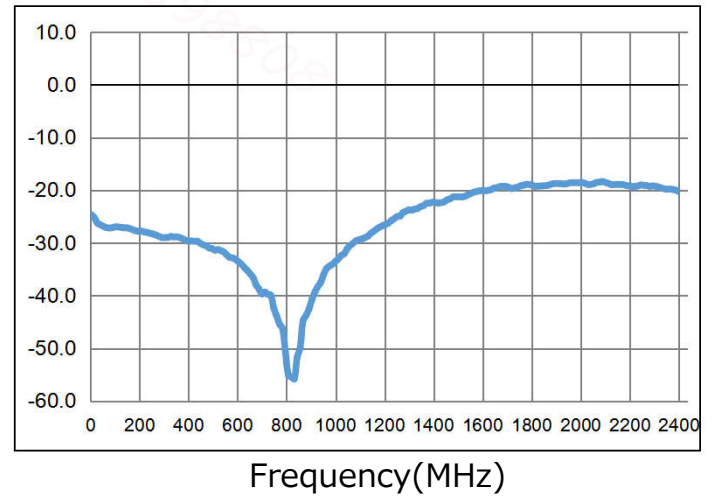
### Isolation(Pin4-3)



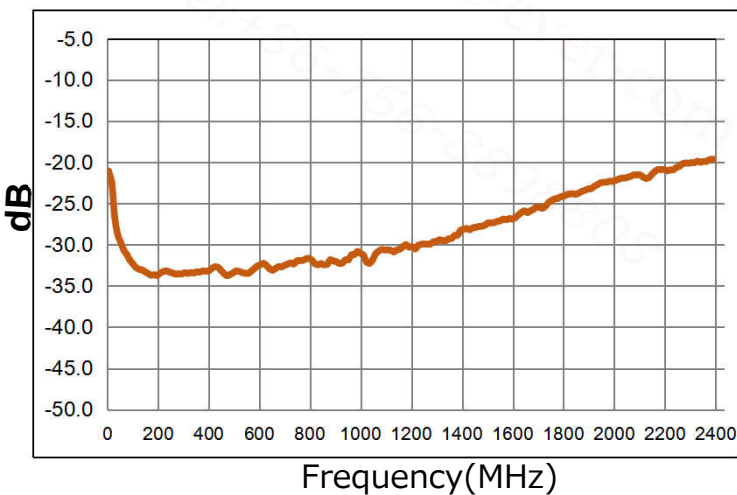
### Main line Loss(Pin6-4)



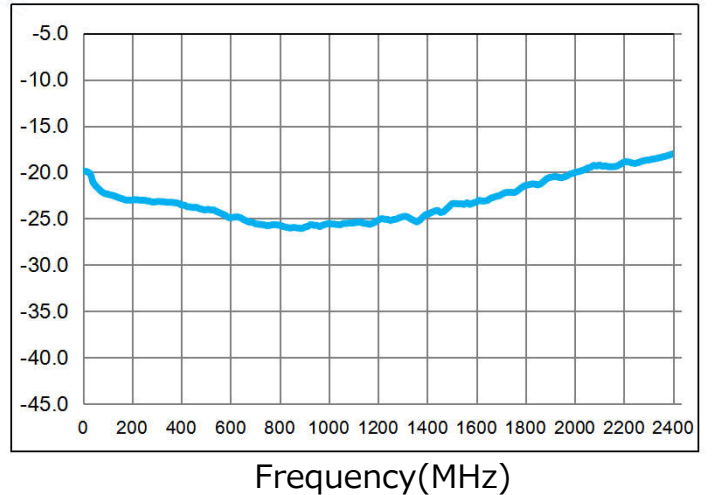
### Input Return Loss(Pin6)



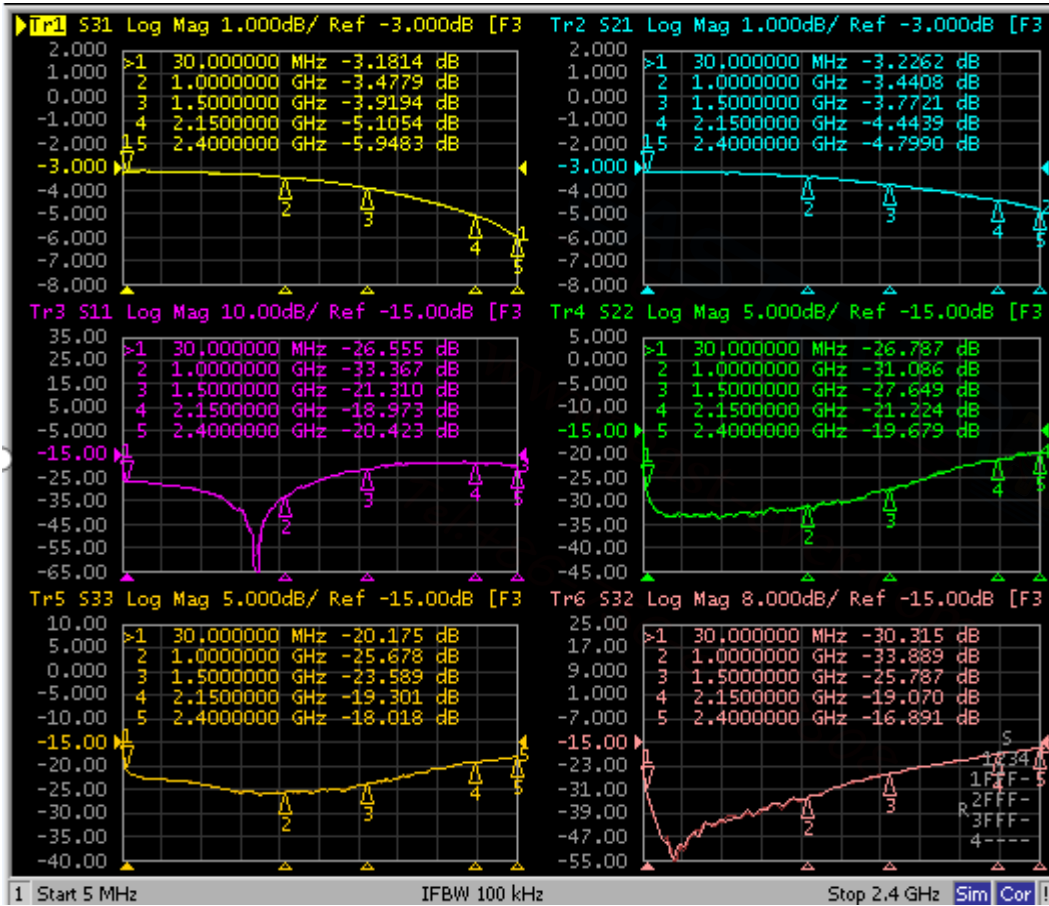
### Output 1 Return Loss(Pin4)



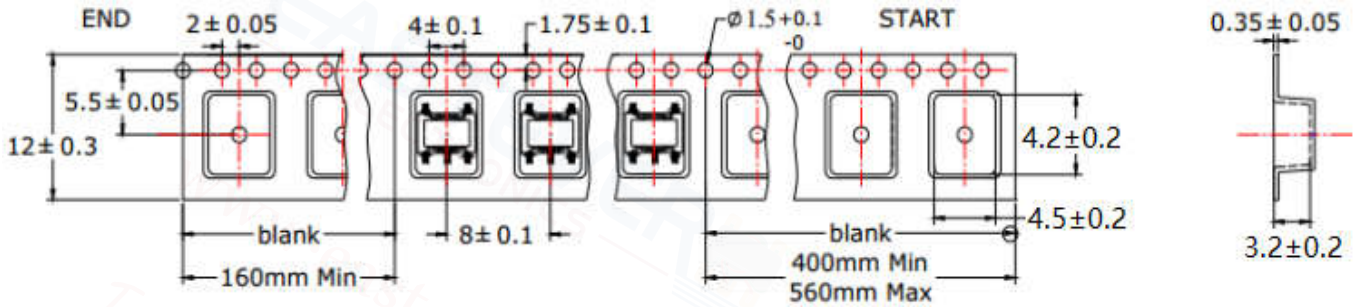
### Output 2 Return Loss (Pin3)



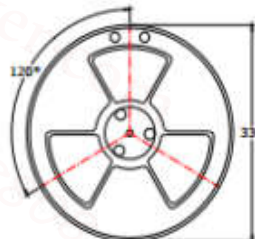
## Network Analyzer Test Data Sheet Photos:



## Packing Dimension For Caeier Tape(UNIT:mm):



<b>QUANTITY</b>
2000PCS/Reel
4Reels/Middle Carton Middle Carton:
4 Middle Cartons/Big Carton
32000PCS/ Big Carton



<b>SPEC</b>	8	12	16	24
DIM A±0.1	8.5	12.5	16.5	24.5
DIM B±0.1	2.3	2.3	2.3	2.3
DIM C±0.1	100	100	100	100

