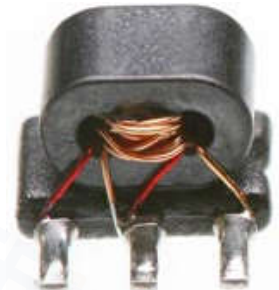


Features:

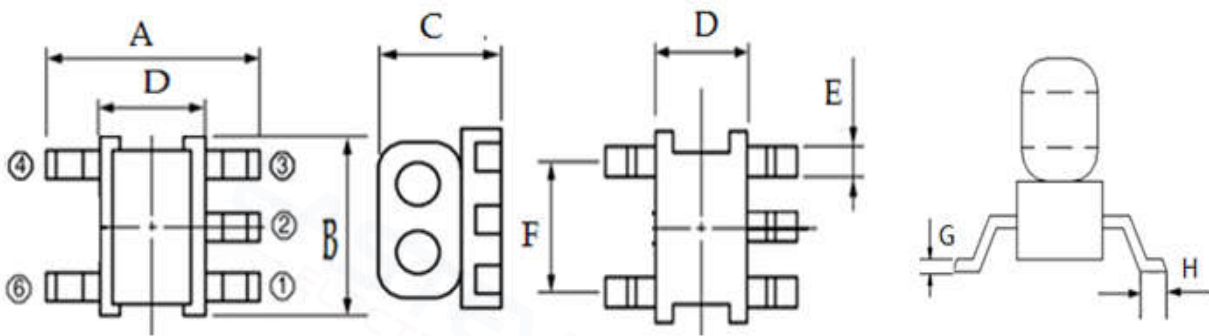
- ◆ 1: 1CT Impedance
- ◆ 75Ω Characteristic Impedance
- ◆ Frequency: 0.4 to 500 MHz
- ◆ RF power: 0.50W
- ◆ DC current: 30mA
- ◆ Operating temperature range: -40°C to +85°C
- ◆ Storage temperature range: -55°C to +100°C



Applications:

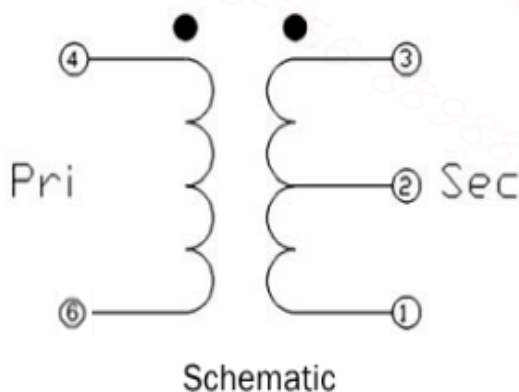
- ◆ For broadband and wireless communications
- ◆ For VHF/UHF receivers/transmitters and push-pull amplifiers

Dimension Diagram (Unit:mm) :

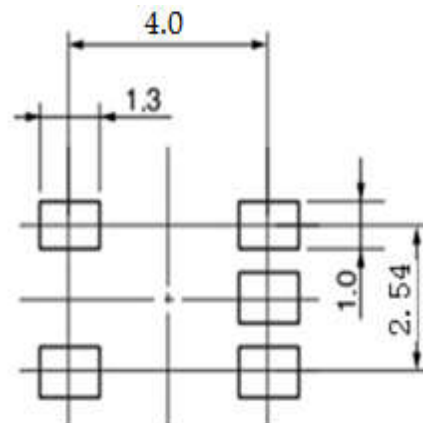


A=4.80±0.20 B=3.80±0.20 C=3.20±0.20 D=2.60±0.20 E=0.55±0.05 F=2.54±0.05 G=0.25±0.05 H=0.60±0.05

Electrical structure:

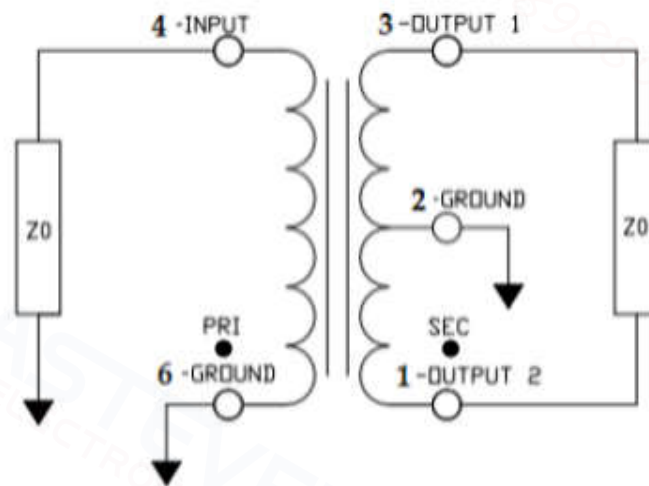


Recommended layout:



Pin configuration:

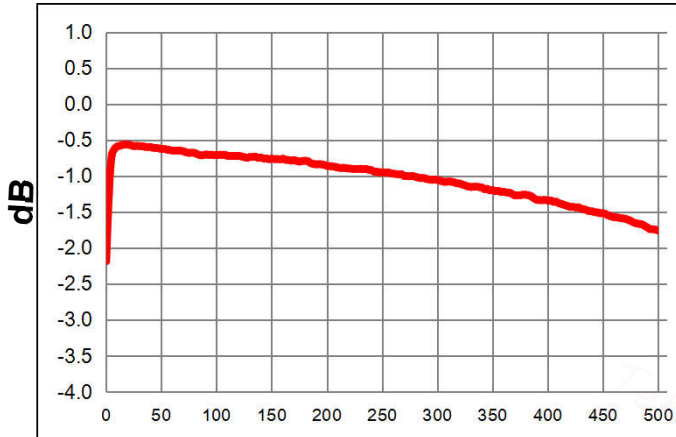
Pin no.	Function
1	Secondary (Output 2)
2	Centre tap (Ground)
3	Secondary dot (Output 1)
4	Primary dot (Input)
6	Primary (Ground)

Application circuit :

Electrical Specifications: TA=25°C, 0dBm, Z0=75Ω:

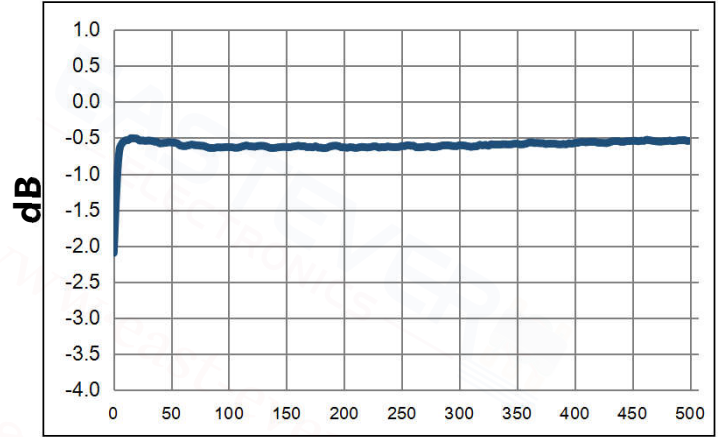
Parameter	Test Conditions	Units	Min	Typ	Max
Main line Loss(out1)	0.4-500MHz	dB	—	0.8	3.0
Main line Loss(out2)	0.4-500MHz	dB	—	0.5	2.5
Amplitude Balance	0.4-500MHz	dB	—	0.5	2.0
Phase Balance	0.4-500MHz	Degrees	—	5.0	15.0
Input Return Loss	0.4-500MHz	dB	5.0	15.0	—

Main line Loss(out1)



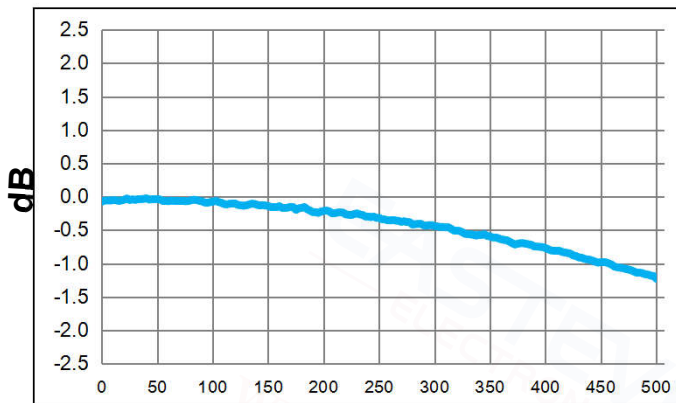
Frequency(MH.

Main line Loss(out2)



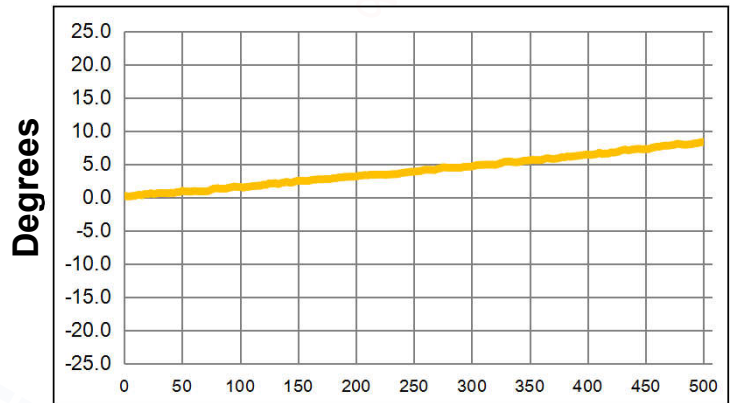
Frequency(MHz)

Amplitude Balance



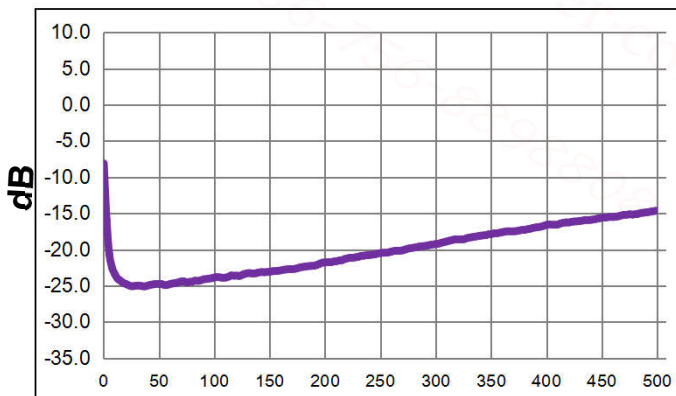
Frequency(MHz)

Phase Balance



Frequency(MHz)

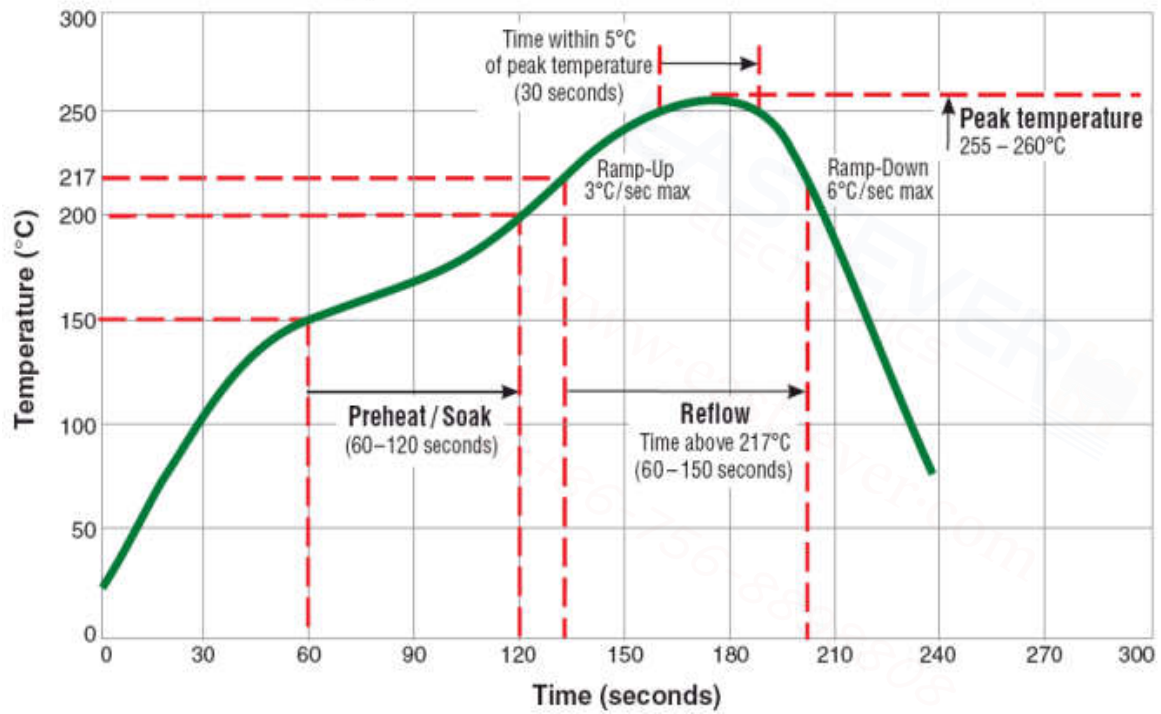
Input Return Loss



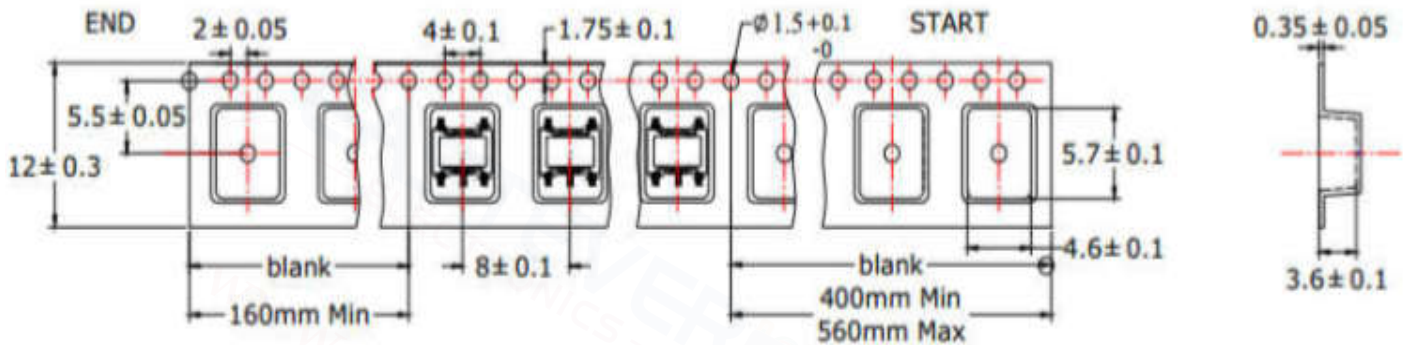
Frequency(MHz)

Recommended Soldering Temperature Graph:

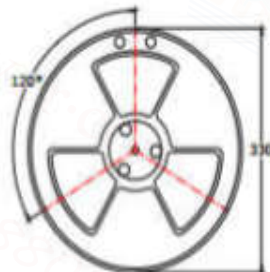
Typical RoHS Reflow Profile



Packing Dimension For Caeier Tape(UNIT:mm):



QUANTITY
2000PCS/Reel
4Reels/Middle Carton Middle Carton:
4 Middle Cartons/Big Carton
32000PCS/ Big Carton



SPEC	8	12	16	24
DIM A±0.1	8.5	12.5	16.5	24.5
DIM B±0.1	2.3	2.3	2.3	2.3
DIM C±0.1	100	100	100	100

